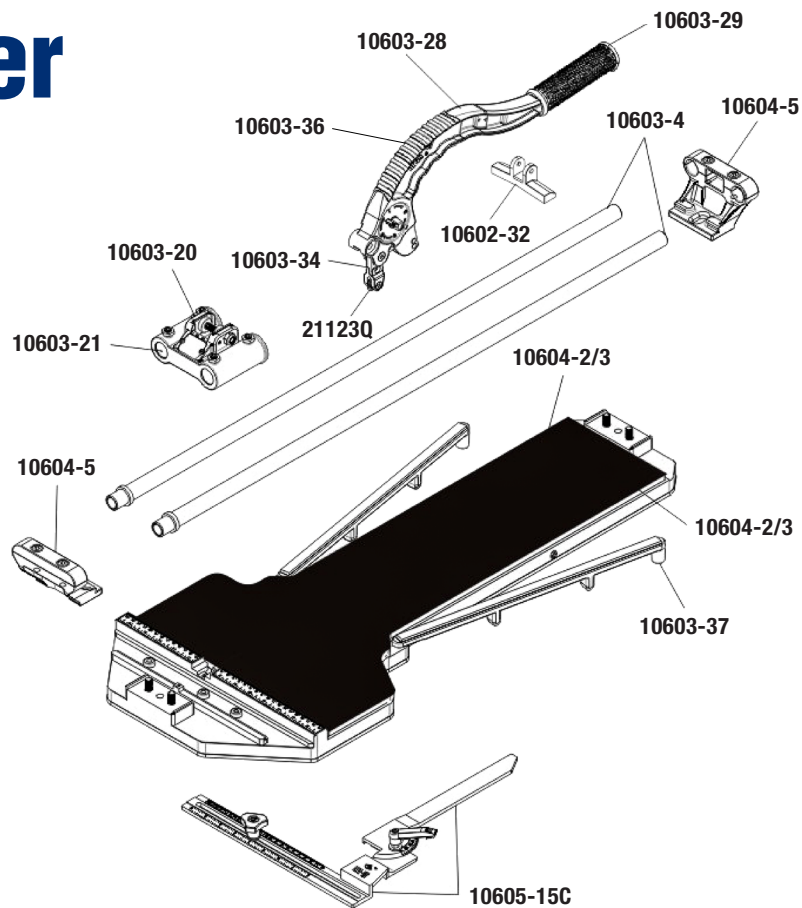




25" Big Clinker Tile Cutter

10600



Replacement Parts List

Item #	Description
10604-2/3	Replacement Pads (Left & Right)
10603-4	Rails (x2)
10604-5	End Brackets
10605-15C	Guide Complete
10603-20	Slide Assembly

Item #	Description
10603-21	Bearing Assembly
10603-28	Handle with Grip
10603-29	Grip
10602-32	Breaker Bar
10603-34	Holder for Cutting Wheel
10603-36	Handle Complete
10603-37	16" Aluminum Arm
21123Q	7/8" Titanium Coated Wheel

