



# Tile Leveling System Protection Plate

99833

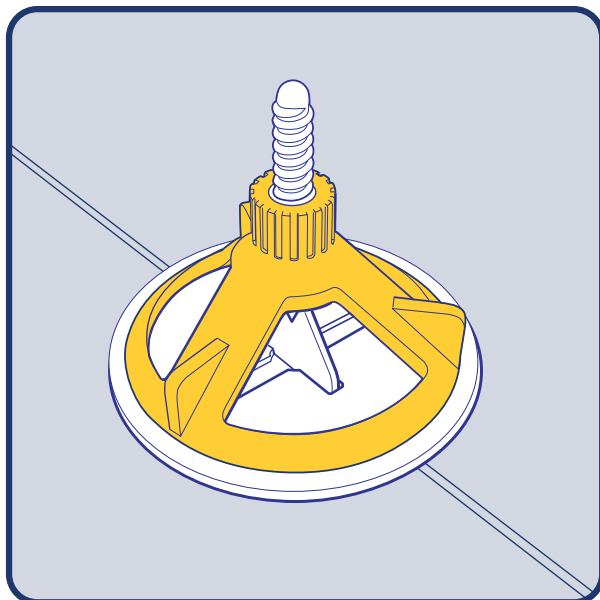
**Serves as a protective buffer between the tile and the Tile Leveling System**

- Protects tile surfaces from possible scratches during tightening
- No tools required for use
- Reusable after cleaning with warm water

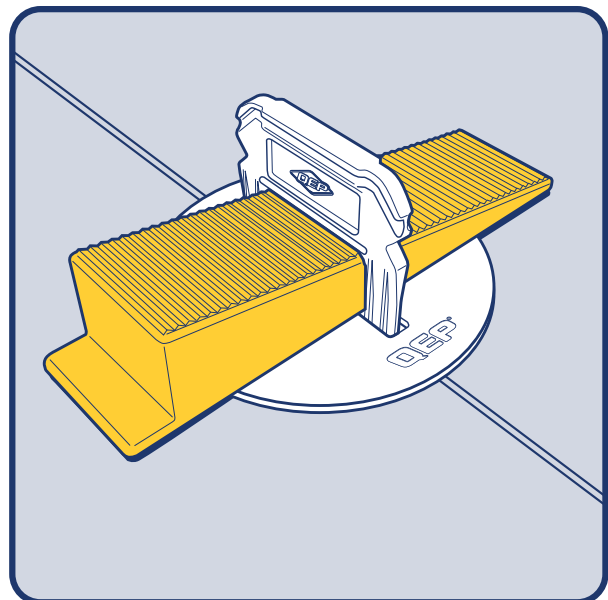


## WORKS WITH

**LASH<sup>360</sup>**  
LEVEL ALIGN SPACE HOLD



**X<sup>TREME</sup>**  
PRO-SERIES  
**TILE LEVELING CLIPS**



The QEP® Tile Leveling System Protection Plate is designed for use as a buffer between the tile and tile leveling systems. It protects tile surfaces from possible scratches during tightening. It's easy to use, and does not require an additional tool when using it with the QEP® LASH360® Tile Leveling System - The tile leveling post is placed under the tile, then the Plate is positioned on top of the post and the tile, tightening it by rotating the cap on top of the plate. When using it with the QEP® Xtreme Tile Leveling System, simply position the plate over the clip, then place the wedge in the clip. Protection Plates can be reused after cleaning with warm water.

Professional Tools for Professional Results

QEP.com