



# **KATANA™**

## **SR-31 Tile Cutter**

### 10310

#### **LEVERAGE**

20" Extended handle for maximum breaking power

#### **SMOOTH CUTS**

Enclosed score chassis with 11 ball bearings

#### **SUPPORT**

Full-length 20" side wing support arms - no tile sag

#### **CLEARVIEW**

Rear mounting of scoring wheel provides the ability to line up cutting line on the tile

#### **FLIP UP RIP GUIDE**

Great for repetitive straight or angled cuts

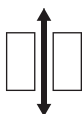


21131  
(Scoring Wheel Replacement Sold Separately)

### **USE:**

#### **RIP CUT**

10310: Up to 31" Tile



#### **DIAGONAL**

10310: Up to 22" Tile



#### **CUTS**

Ceramic

#### **TILE DEPTH**

Thickness up to 5/8"

**Professional Tools for Professional Results**

**qep.com**

J0225-12517

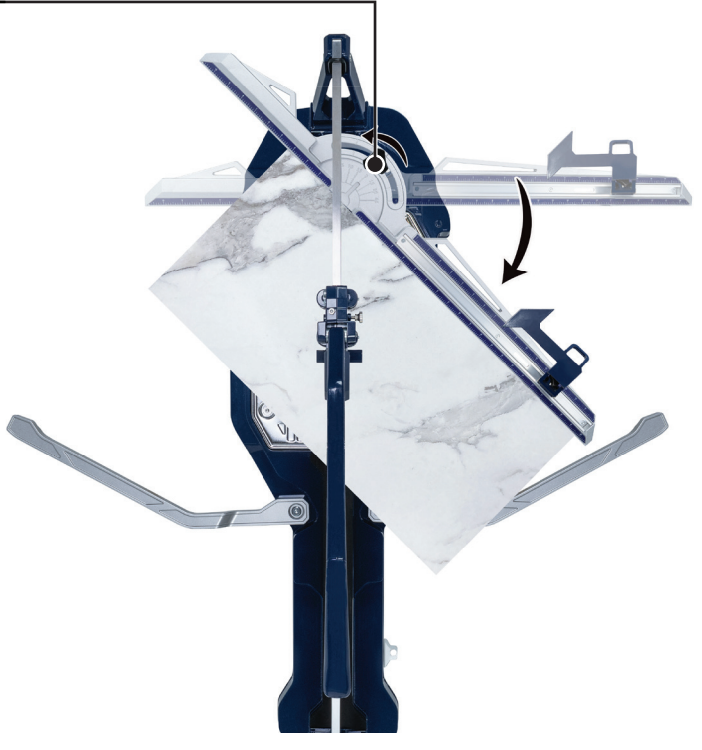


**EASY POSITIONING**

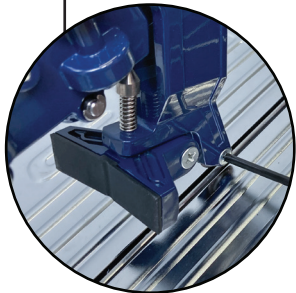
Fence moves with turning knob with positive stops at 22.5°, 145°, and 90°



**Slide-in tile aligns with flip-up rip guide to ensure a secure and straight cut**



**Fence rotates, providing multiple cutting angles and flexibility**



**Accessible, standard screw head for fast and easy scoring wheel replacement**



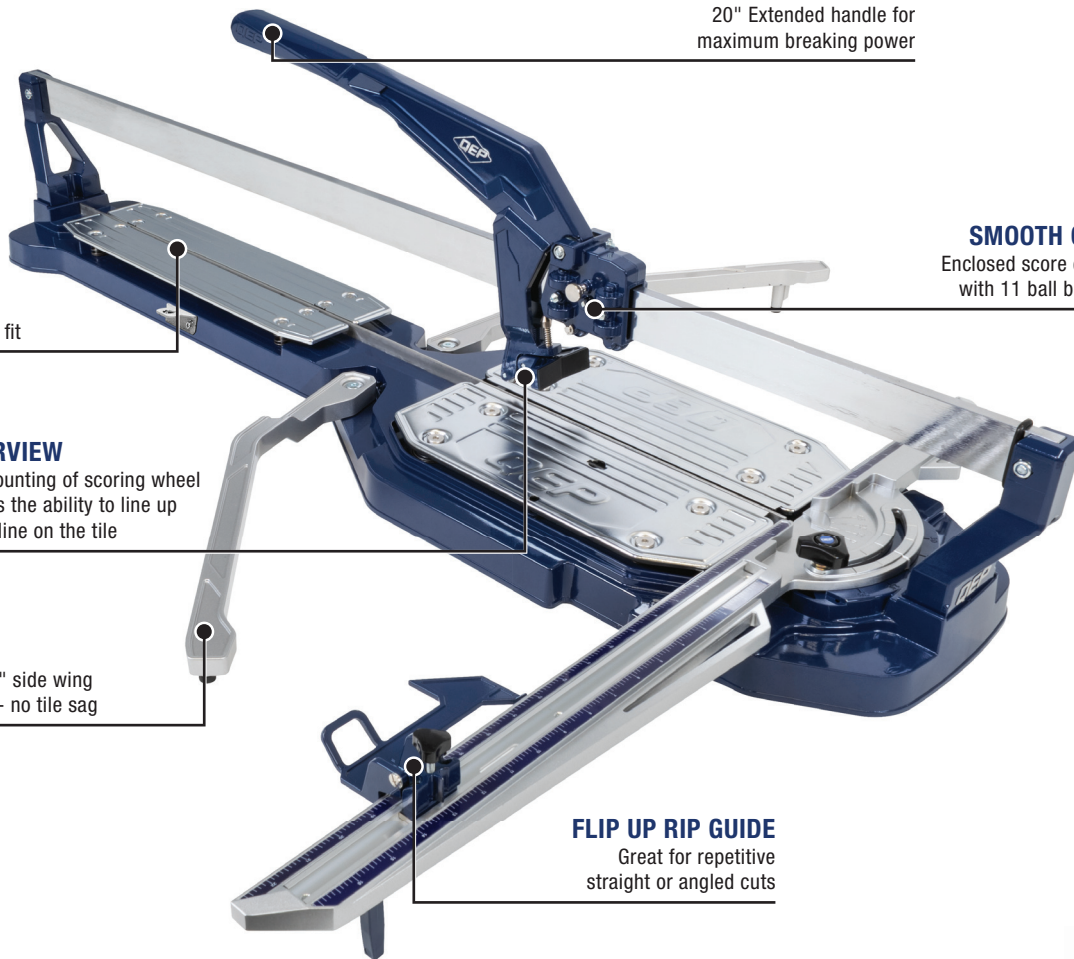
The QEP® KATANA™ SR Cutter Series offers smooth cutting for all tile types. The series includes two models: The SR-31 and SR-41, both with an adjustable fence with positive stops at 22.5, 45, and 90 degrees. These cutters have an extended handle for maximum breaking power, an adjustable flip-up rip guide and a full-length 20" spring, loaded side wing support arms. The clear rear view ball bearing 7/8" scoring wheel with quick release breaker bar, and heavy-duty cast aluminum base with coated steel spring plate makes the KATANA™ Single Rail Tile Cutter Series a preferred choice for professional installers.



# **KATANA™**

## **SR-41 Tile Cutter**

### 10410



#### **LEVERAGE**

20" Extended handle for maximum breaking power

#### **SMOOTH CUTS**

Enclosed score chassis with 11 ball bearings

#### **REAR SPRING PLATE**

Includes an extended railing, ensuring secure tile fit

#### **CLEARVIEW**

Rear mounting of scoring wheel provides the ability to line up cutting line on the tile



#### **SUPPORT**

Full-length 20" side wing support arms - no tile sag

#### **FLIP UP RIP GUIDE**

Great for repetitive straight or angled cuts

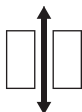


21131  
(Scoring Wheel Replacement Sold Separately)

### **USE:**

#### **RIP CUT**

10410: Up to 41" Tile



#### **DIAGONAL**

10410: Up to 29" Tile



#### **CUTS**

Ceramic

#### **TILE DEPTH**

Thickness up to 5/8"

**Professional Tools for Professional Results**

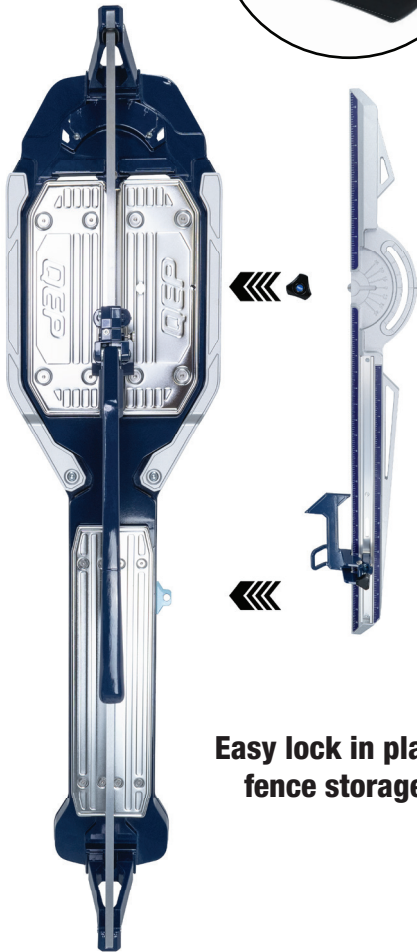
**qep.com**

J0225-12517



### EASY POSITIONING

Fence can be adjusted by turning knob with positive stops at 22.5, 45, and 90°



**Easy lock in place  
fence storage**

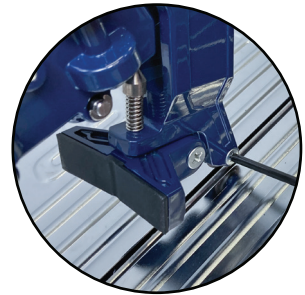


**Fence rotates, providing  
multiple cutting angles  
and flexibility**



**INCLUDES A CARRYING  
BAG WITH WHEELS**

Accessible, standard screw head for fast and easy scoring wheel replacement



The QEP® KATANA™ SR Cutter Series offers smooth cutting for all tile types. The series includes two models: The SR-31 and SR-41, both with an adjustable fence with positive stops at 22.5, 45, and 90 degrees. These cutters have an extended handle for maximum breaking power, an adjustable flip-up rip guide and a full-length 20" spring, loaded side wing support arms, and heavy-duty cast aluminum base with coated steel spring plate makes the KATANA™ Single Rail Tile Cutter Series a preferred choice for professional installers.