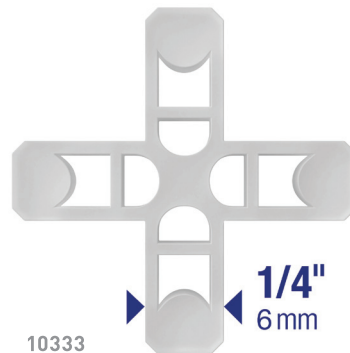
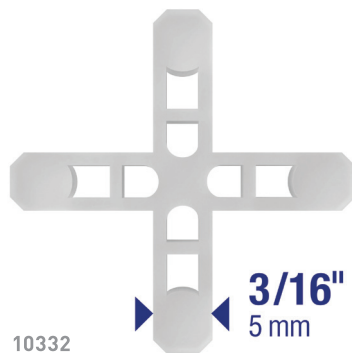
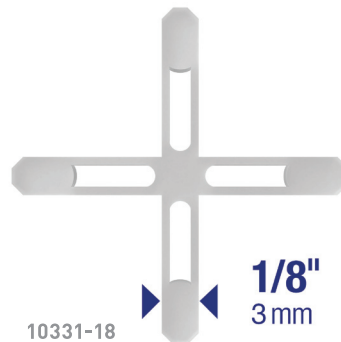
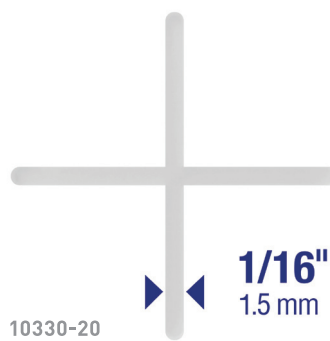




Leave-In Hard Style Tile Spacers

10330-20, 10331-18, 10332, 10333



- Use as traditional vertical tombstone-style or inset leave-in installation method
- Leave-In design reduces installation time
- Will not compress when setting marble, granite, stone and large format tile
- Easy to handle, extra long prongs assure perfect 90° grout corners

Specifications:

PRODUCT #	SIZE	QUANTITY
10330-20	1/16"	300 EACH (20/CS)
10331-18	1/8"	300 EACH (18/CS)
10332	3/16"	200 EACH (12/CS)
10333	1/4"	200 EACH (10/CS)



The QEP® Hard-Style Tile Spacers offer the choice of a traditional vertical tombstone-style or inset leave-in installation method. QEP Leave-In Spacers are constructed of hard plastic, so they will not compress when used with marble, stone and large format tile. These spacers feature a lower height profile, so they can easily be covered when grouting. When used in tombstone style, these hard tile spacers can also be easily removed and reused.

Professional Tools for Professional Results

qep.com