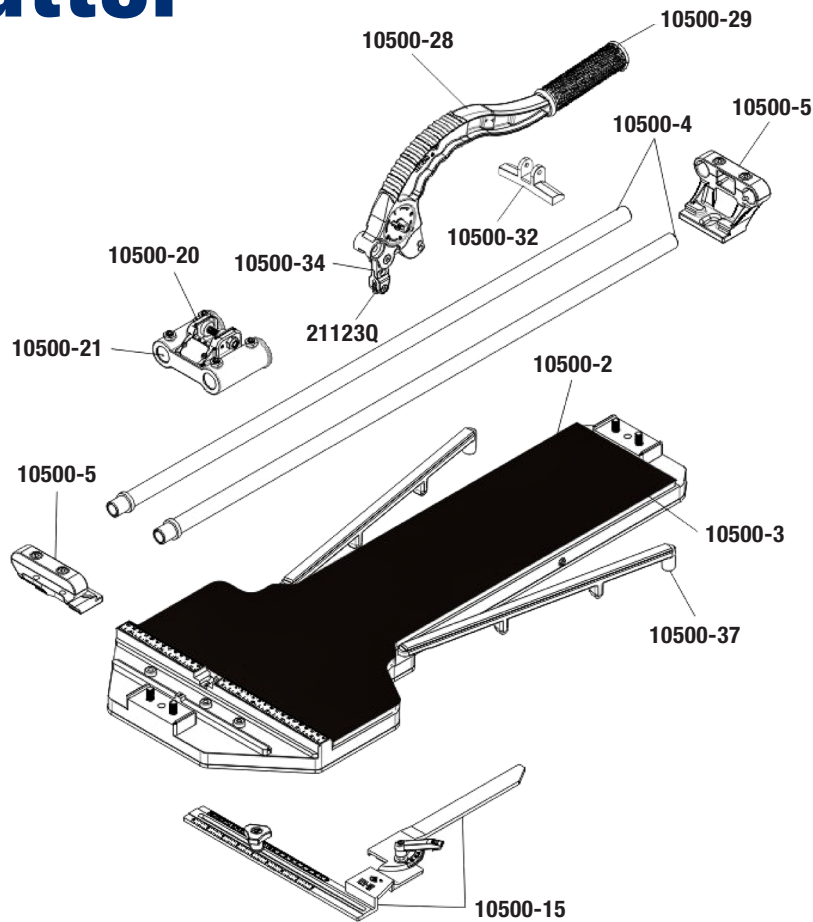




22½" Big Clinker Tile Cutter

10500



Replacement Parts List

Item #	Description
10500-2/3	Replacement Pads (Left & Right)
10500-4	Rails (x2)
10500-5	End Brackets
10500-15	Guide Complete
10500-20	Slide Assembly
10500-21	Bearing Assembly
10500-28	Handle with Grip

Item #	Description
10500-29	Grip
10500-32	Breaker Bar
10500-34	Holder for Cutting Wheel
10500-36	Handle Complete
10500-37	15-3/4" Aluminum Arm with Magnet
21123Q	7/8" Cutting Wheel