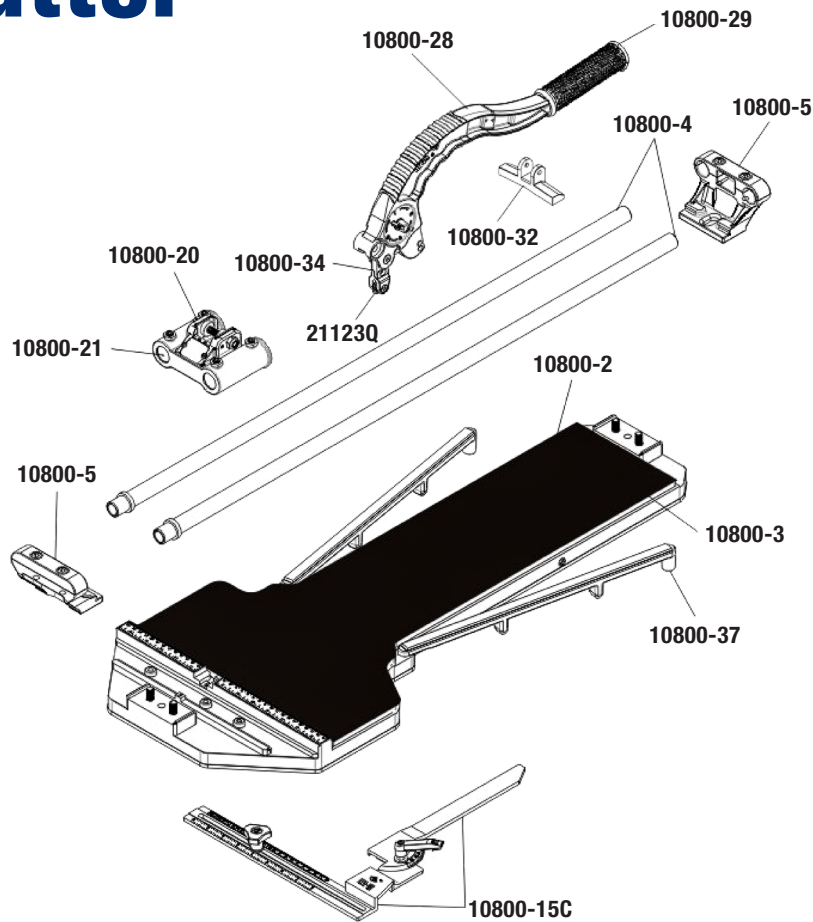




28" Big Clinker Tile Cutter

10800



Replacement Parts List

Item #	Description
10800-2/3	Replacement Pads (Left & Right)
10800-4	Rails (x2)
10800-5	End Brackets
10800-15C	Guide Complete
10800-20	Slide Assembly
10800-21	Bearing Assembly
10800-28	Handle with Grip

Item #	Description
10800-29	Grip
10800-32	Breaker Bar
10800-34	Holder for Cutting Wheel
10800-36	Handle Complete
10800-37	15-3/4" Aluminum Arm with Magnet
21123Q	7/8" Cutting Wheel