

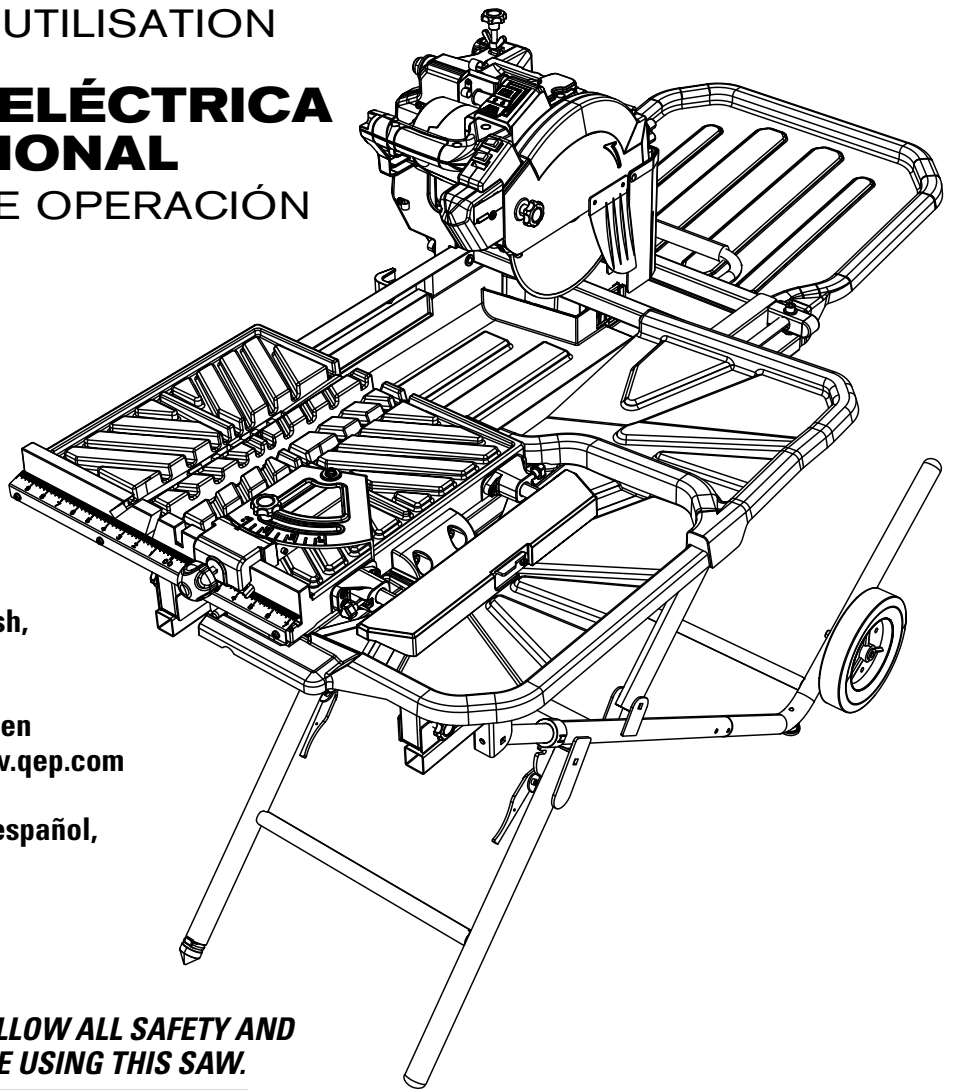


10 in.
254mm

**900 XT
PRO TILE SAW**
OWNER'S MANUAL

**SCIE À
CARREAUX PRO**
MANUEL D'UTILISATION

**SIERRA ELÉCTRICA
PROFESIONAL**
MANUAL DE OPERACIÓN



For Instructions in french and spanish,
please go to www.qep.com

Pour des instructions en français et en
espagnol, s'il vous plaît aller à www.qep.com

Para instrucciones en francés y en español,
por favor vaya a www.qep.com

⚠ CAUTION *READ AND FOLLOW ALL SAFETY AND
OPERATING INSTRUCTIONS BEFORE USING THIS SAW.*

⚠ ATTENTION *LIRE ET SUIVRE TOUTES LES DIRECTIVES
DE SÉCURITÉ ET D'OPÉRATION AVANT D'UTILISER CETTE SCIE.*

⚠ ATENCIÓN *LEA Y SIGA TODAS LAS INSTRUCCIONES
DE FUNCIONAMIENTO Y SEGURIDAD ANTES DE USAR ESTA SIERRA.*



TABLE OF CONTENTS

SECTION	PAGE
PRODUCT SPECIFICATIONS.....	2
CALIFORNIA PROPOSITION 65.....	2
SAFETY GUIDELINES - DEFINITIONS	3
POWER TOOL SAFETY	4
TILE SAW SAFETY	5
ELECTRICAL REQUIREMENTS AND SAFETY.....	7
TOOLS NEEDED FOR ASSEMBLY.....	8
CARTON CONTENTS.....	8
KNOW YOUR TILE SAW.....	10
ASSEMBLY AND ADJUSTMENTS.....	13
OPERATION.....	19
MAINTENANCE.....	23
TROUBLESHOOTING.....	24
PARTS LIST.....	25

PRODUCT SPECIFICATIONS

MOTOR

Type	Universal
Amps	15
Voltage	120
Hz	60
RPM (no load)	4500
Overload Protection	NO

SAW

Blade Size	10 in. (254 mm)
Arbor Size	5/8 in. (16 mm)
Blade Type	Continuous rim diamond
Material Usage	Porcelain, ceramics, marble, stone

CUTTING CAPACITIES:

Bevel Range	0° - 45° right
Maximum Depth of Cut at 90°	3-3/4 in. (95.2 mm)
Maximum Depth of Cut at 45°	2-3/8 in. (61 mm)
Maximum Rip Cut	24 in. (609.6 mm)
Maximum Diagonal Cut	18 in. (455 mm)

TABLE

Table Size	17-5/16 in. x 14-13/16 in. (440 mm x 375 mm)
Table Extension	Yes, right side of main table

WARNING

To avoid electrical hazards, fire hazards or damage to the tile saw, use proper circuit protection. This tile saw is wired at the factory for 110-120 Volt operation. It must be connected to a 110-120 Volt / 15 Ampere time delay fuse or circuit breaker. To avoid shock or fire, replace power cord immediately if it is worn, cut or damaged in any way. Before using your tile saw, it is critical that you read and understand these safety rules. Failure to follow these rules could result in serious injury to you or damage to the tile saw.

CALIFORNIA PROPOSITION 65

WARNING

Some dust created by power sanding, sawing, grinding, drilling and other construction activities contains chemicals known to the state of California to cause cancer, birth defects or other reproductive harm. Some examples of these chemicals are:

- Lead from lead-based paints,
- Crystalline silica from bricks and cement and other masonry products, and
- Arsenic and chromium from chemically-treated lumber.

Your risk from these exposures varies, depending on how often you do this type of work. To reduce your exposure to these chemicals: work in a well ventilated area, and work with approved safety equipment, such as those dust masks that are specially designed to filter out microscopic particles. Avoid prolonged contact with dust from power sanding, sawing, grinding, drilling, and other construction activities. Wear protective clothing and wash exposed areas with soap and water. Allowing dust to get into your mouth, eyes, or lay on the skin may promote absorption of harmful chemicals.

WARNING

Use of this tool can generate and/or disperse dust, which may cause serious and permanent respiratory or other injury. Always use NIOSH/OSHA approved respiratory protection appropriate for the dust exposure. Direct particles away from face and body. Handling the power cord on this product may expose you to chemicals known to the State of California to cause cancer and birth defects or other reproductive harm. Wash hands after handling.

SAFETY GUIDELINES - DEFINITIONS

WARNING ICONS

Your power tool and its Instruction Manual may contain "WARNING ICONS" (a picture symbol intended to alert you to and/or instruct you how to avoid a potentially hazardous condition). Understanding and heeding these symbols will help you operate your tool better and safer. Shown below are some of the symbols you may see.



SAFETY ALERT: Precautions that involve your safety.



PROHIBITION: Do not attempt action



WEAR EYE PROTECTION: Always wear safety goggles or safety glasses with side shields.



WEAR RESPIRATORY AND HEARING PROTECTION: Always wear respiratory and hearing protection.



READ AND UNDERSTAND INSTRUCTION MANUAL: To reduce the risk of injury, user and all bystanders must read and understand instruction manual before using this product.



KEEP HANDS AWAY FROM THE MOVING PART AND CUTTING SURFACE: Failure to keep your hands away from the moving part and cutting surface will result in serious personal injury.



SUPPORT AND CLAMP WORK



DANGER: Indicates an imminently hazardous situation which, if not avoided, will result in death or serious injury.



WARNING: Indicates a potentially hazardous situation which, if not avoided, could result in death or serious injury.



CAUTION: Indicates a potentially hazardous situation which, if not avoided, may result in minor or moderate injury.



CAUTION: Used without the safety alert symbol indicates potentially hazardous situation which, if not avoided, may result in property damage.



POWER TOOL SAFETY

GENERAL SAFETY INSTRUCTIONS BEFORE USING THIS POWER TOOL




Safety is a combination of common sense, staying alert and knowing how to use your power tool.

WARNING

- To avoid mistakes that could cause serious injury, do not plug the tool in until you have read and understood the following.
- Read all instructions before operating product. Failure to follow all instructions listed below may result in electric shock, fire and/or serious injury.

1.  **READ** and become familiar with the entire Instruction Manual. **LEARN** the tool's application, limitations and possible hazards.
2. **KEEP GUARDS IN PLACE** and in working order.
3. **REMOVE ADJUSTING KEYS AND WRENCHES.** Form the habit of checking to see that keys and adjusting wrenches are removed from the tool before turning ON.
4. **KEEP WORK AREA CLEAN.** Cluttered areas and benches invite accidents.
5. **DO NOT USE IN DANGEROUS ENVIRONMENTS.** Do not use power tools in damp locations, or expose them to rain or snow. Keep work area well lit.
6. **KEEP CHILDREN AWAY.** All visitors and bystanders should be kept a safe distance from work area.
7. **MAKE WORKSHOP CHILD PROOF** with padlocks, master switches or by removing starter keys.
8. **DO NOT FORCE THE TOOL.** It will do the job better and safer at the rate for which it was designed.
9. **USE THE RIGHT TOOL.** Do not force the tool or an attachment to do a job for which it was not designed.
10. **USE PROPER EXTENSION CORDS.** Make sure your extension cord is in good condition. When using an extension cord, be sure to use one heavy enough to carry the current your product will draw. An undersized cord will result in a drop in line voltage and in loss of power which will cause the tool to overheat. The table on page 6 shows the correct size to use depending on cord length and nameplate ampere rating. If in doubt, use the next heavier gauge. The smaller the gauge number, the heavier the cord.
11. **WEAR PROPER APPAREL.** Do not wear loose clothing, gloves, neckties, rings, bracelets or other jewelry which may get caught in moving parts. Nonslip footwear is recommended. Wear protective hair covering to contain long hair.
12.  **ALWAYS WEAR EYE PROTECTION.** Any power tool can throw foreign objects into the eyes and could cause permanent eye damage. **ALWAYS** wear Safety Goggles (not glasses) that comply with ANSI Safety standard

Z87.1. Everyday eyeglasses have only impact-resistant lenses. They **ARE NOT** safety glasses. **NOTE:** Glasses or goggles not in compliance with ANSI Z87.1 could seriously injure you when they break.

13.  **WEAR A FACE MASK OR DUST MASK.** Sawing operation produces dust.
14.  **SECURE WORK.** Use clamps or a vise to hold work when practical. It is safer than using your hand and it frees both hands to operate the tool.
15. **DISCONNECT TOOLS FROM POWER SOURCE** before servicing, and when changing accessories such as blades, bits and cutters.
16. **REDUCE THE RISK OF UNINTENTIONAL STARTING.** Make sure switch is in the OFF position before plugging the tool in.
17. **USE RECOMMENDED ACCESSORIES.** Consult this Instruction Manual for recommended accessories. The use of improper accessories may cause risk of injury to yourself or others.
18. **NEVER STAND ON THE TOOL.** Serious injury could occur if the tool is tipped or if the cutting tool is unintentionally contacted.
19. **CHECK FOR DAMAGED PARTS.** Before further use of the tool, a guard or other part that is damaged should be carefully checked to determine that it will operate properly and perform its intended function – check for alignment of moving parts, binding of moving parts, breakage of parts, mounting and any other conditions that may affect its operation. A guard or other part that is damaged should be properly repaired or replaced.
20. **NEVER LEAVE THE TOOL RUNNING UNATTENDED. TURN THE POWER "OFF".** Do not walk away from a running tool until the blade comes to a complete stop and the tool is unplugged from the power source.
21. **DO NOT OVERREACH.** Keep proper footing and balance at all times.
22. **MAINTAIN TOOLS WITH CARE.** Keep tools sharp and clean for best and safest performance. Follow instructions for lubricating and changing accessories.
23. **DO NOT** use power tool in presence of flammable liquids or gases.
24. **DO NOT** operate the tool if you are under the influence of any drugs, alcohol or medication that could affect your ability to use the tool properly.
25. Dust generated from certain materials can be hazardous to your health. Always operate saw in well-ventilated area and provide for proper dust removal.
26.  **WEAR HEARING PROTECTION** to reduce the risk of induced hearing loss.

TILE SAW SAFETY

BEFORE USING THE WET TILE SAW

⚠ WARNING

DO NOT OPERATE YOUR WET TILE SAW UNTIL IT IS COMPLETELY ASSEMBLED AND INSTALLED ACCORDING TO THE INSTRUCTIONS

1. **ALWAYS USE BLADE GUARD ASSEMBLY.**
2. **ALWAYS HOLD WORK FIRMLY** against the miter gauge or quick-locking cutting guide.
3. **NEVER PERFORM ANY OPERATION USING ONLY YOUR HANDS** to support or guide the workpiece.
4. **NEVER STAND** or have any part of your body in line with the path of the wet tile saw blade.
5. **NEVER REACH** behind or over the wet tile saw for any reason.
6. **FEED WORK INTO THE DIAMOND TILE BLADE** against the direction of rotation only.
7. **NEVER ATTEMPT TO FREE A STALLED DIAMOND TILE BLADE** without first turning the saw OFF and unplugging it from the wall outlet. Turn power switch OFF immediately to prevent motor damage.
8. **PROVIDE ADEQUATE SUPPORT** to the rear and the sides of the wet tile saw for long or wide workpieces.
9. **AVOID AWKWARD OPERATIONS** and hand positions where a sudden slip could cause your hand to move into the saw blade.
10. **NEVER USE SOLVENTS** to clean plastic parts. Solvents could possibly dissolve or otherwise damage the material. Only a soft, damp cloth should be used to clean plastic parts.
11. **MOUNT** your tile saw on a bench or stand before performing any cutting operations. Refer to **ASSEMBLY AND ADJUSTMENTS**.
12. **ALWAYS USE IN WELL-VENTILATED AREA.** Remove dust frequently. Clean out dust from the interior of the saw to prevent a potential fire hazard.
13. **NEVER LEAVE THE SAW RUNNING UNATTENDED.** Do not leave the saw until it comes to a complete stop.
14. **AVOID KICKBACKS** (work thrown back towards you) by keeping the blade sharp, the miter gauge and cutting guides parallel to the saw blade and by keeping the guards in place, aligned and functioning. Do not release work before it has passed all the way through the saw blade. Do not rip work that is twisted, warped or does not have a straight edge to guide it along the guides.
15. Find and read all the warning labels from the tool (shown below)

⚠ WARNING	⚠ AVERTISSEMENT	⚠ ADVERTENCIA
<p>FOR YOUR OWN SAFETY READ INSTRUCTION MANUAL BEFORE OPERATING SAW</p> <p>1. WEAR EYE PROTECTION.</p> <p>2. USE SPLASH HOOD FOR EVERY OPERATION FOR WHICH IT CAN BE USED.</p> <p>3. DISCONNECT SAW BEFORE SERVICING. WHEN CHANGING CUTTING WHEELS AND CLEANING.</p> <p>4. USE TOOL ONLY WITH SMOOTH EDGE CUTTING WHEELS FREE OF OPENINGS AND GROOVES.</p> <p>5. REPLACE DAMAGED CUTTING WHEEL BEFORE OPERATING.</p> <p>6. DO NOT FILL WATER BATH ABOVE WATER FILL LINE.</p> <p>7. DO NOT EXPOSE TO RAIN OR USE IN DAMP LOCATIONS.</p> <p>8. THIS SAW IS TO BE USED WITH A GROUND FAULT CIRCUIT INTERRUPTER.</p>	<p>POUR VOTRE SÉCURITÉ, LISEZ LE MANUEL D'INSTRUCTIONS AVANT D'UTILISER LA SCIE</p> <p>1. PORTEZ UNE PROTECTION DES YEUX.</p> <p>2. LORSQU'IL S'AVÈRE UTILE, UTILISEZ LE PROTECTEUR AFIN D'ÉVITER LES RÉSIDUS DE VOUS ATTEINDRE.</p> <p>3. DÉBRANCHER LA SCIE AVANT D'EFFECTUER L'ENTRETIEN DE CHANGER LES DISQUES DE COUPE OU DE LA NETTOYER.</p> <p>4. UTILISER L'OUTIL SEULEMENT AVEC DES DISQUES LISSES SANS FENTES ET RAYURES.</p> <p>5. REMPLACER LES DISQUES ENDOMMAGÉS AVANT D'UTILISER L'APPAREIL.</p> <p>6. NE PAS REMPLIR LE PLATEAU D'EAU AU-DESSUS DU NIVEAU INDICÉ.</p> <p>7. N'EXPOSEZ PAS CET OUTIL À LA PLUIE ET NE L'UTILISEZ PAS DANS DES ENDROITS HUMIDES.</p> <p>8. CETTE SCIE DOIT ÊTRE UTILISÉE AVEC UN DISJONCTEUR DIFFÉRENTIEL.</p>	<p>POR SU PROPIA SEGURIDAD LEA EL MANUAL DE INSTRUCCIONES ANTES DE UTILIZAR LA SIERRA</p> <p>1. UTILICE PROTECCIÓN OCULAR.</p> <p>2. USA UNA CAPUCHA PARA PROTEGERSE DE LAS MANCHAS CUANDO USA LA SIERRA.</p> <p>3. DESCONECTE LA SIERRA ANTES DE REALIZAR EL MANTENIMIENTO, AL CAMBIAR EL DISCO DE CORTE Y AL LIMPIARLA.</p> <p>4. UTILICE LA HERRAMIENTA SOLAMENTE CON DISCOS DE CORTE DE BORDE LISO LIBRE DE ABERTURAS Y RANURAS.</p> <p>5. REEMPLAZAR DISCOS DE CORTE DAÑADOS ANTES DE OPERAR.</p> <p>6. NO LLENE LA BANDEJA DE AGUA POR ENCIMA DE LA LÍNEA DE LLENADO DE AGUA.</p> <p>7. NO LA EXPONGA A LA LLUVIA NI LA USE EN LUGARES HÚMEDOS.</p> <p>8. ESTA SIERRA SE NECESITA USAR CON UN INTERRUPTOR CONECTADO CON EL SUELO.</p>

<p>⚠ WARNING</p> <p>TO PROPERLY LOCK THE STAND, THE RED LEVER MUST BE SECURED IN THE SLOT ON THIS COVER PLATE.</p> <p>⚠ AVERTISSEMENT</p> <p>POUR VERROUILLER CORRECTEMENT LE SUPPORT, LE REDRESSEUR ROUGE DOIT ÊTRE SÉCURISÉ DANS LE SLOT SUR CETTE COUVRE-PLAQUE.</p> <p>⚠ ADVERTENCIA</p> <p>PARA CERRAR EL SOPORTE DEBIDAMENTE, LA PALANCA ROJA DEBE SER FIJADA EN LA RANURA SOBRE ESTA CUBREPLACA.</p>
--

Laser warning label

<p>DANGER / PELIGRO</p> <p>LASER RADIATION-AVOID DIRECT EYE EXPOSURE RAYONNEMENT LASER - ÉVITEZ TOUT CONTACT DIRECT AVEC LES YEUX RADIACIÓN LASER: EVITE LA EXPOSICIÓN DIRECTA A LOS OJOS</p> <p>Max. Output: < 5 mW Wavelength: 630-660 nm Complies with 21 CFR 1040.10 and 1040.11 Puissance maximale: < 5 mW Longueur d'onde: 630 à 660 nm Ce produit est conforme aux normes 21CFR 1040.10 et 1040.11 Salida máxima: < 5 mW Longitud de onda: 630 - 660 nm Cumple con las normas 21 CFR 1040.10 y 1040.11</p> <p>CLASS IIIa LASER PRODUCT PRODUCTO LASER DE CLASE IIIa</p>
--

Laser aperture label

<p>AVOID EXPOSURE / ÉVITEZ L'EXPOSITION / EVITE LA EXPOSICIÓN Laser radiation is emitted from this aperture / Cet outil produit un rayonnement laser / La radiación láser se emite de esta abertura</p> 

⚠ WARNING	⚠ AVERTISSEMENT	⚠ ADVERTENCIA
<p>RECEPTACLE IS FOR WATER PUMP ONLY, 125V 0.5A MAX.</p>	<p>LE RÉCIPIENT EST UNIQUEMENT CONÇU POUR LA POMPE À EAU, 125V 0.5A MAX.</p>	<p>EL RECEPTÁCULO ES SOLAMENTE PARA LA BOMBA DE AGUA, 125V, 0.5A MAX.</p>

ELECTRICAL REQUIREMENTS AND SAFETY

POWER SUPPLY AND MOTOR SPECIFICATIONS

⚠ WARNING

To avoid electrical hazards, fire hazards, or damage to the tool, use proper circuit protection. Use a separate electrical circuit for your tool. Your tile saw is wired at the factory for 120 V operation. Connect to a 120 V, 15 Amp circuit and use a 15 Amp time delay fuse or circuit breaker. To avoid shock or fire, if power cord is worn, cut, or damaged in any way, have it replaced immediately.

GROUNDING INSTRUCTIONS

⚠ WARNING

This tool must be grounded while in use to protect the operator from electrical shock.

IN THE EVENT OF A MALFUNCTION OR

BREAKDOWN, grounding provides a path of least resistance for electric currents and reduces the risk of electric shock. This tool is equipped with an electrical cord that has an equipment-grounding conductor and a grounding plug. The plug must be plugged into a matching receptacle that is properly installed and grounded in accordance with all local codes and ordinances.

DO NOT MODIFY THE PLUG PROVIDED. If it will not fit the receptacle, have the proper receptacle installed by a qualified electrician.

IMPROPER CONNECTION of the equipment grounding conductor can result in risk of electric shock. The conductor with the green insulation (with or without yellow stripes) is the equipment grounding conductor. If repair or replacement of the electrical cord or plug is necessary, do not connect the equipment grounding conductor to a live terminal.

CHECK with a qualified electrician or service person if you do not completely understand the grounding instructions, or if you are not certain the tool is properly grounded.

USE only 3-wire extension cords that have three-pronged grounding plugs with three-pole receptacles that accept the tool's plug. Repair or replace damaged or worn cords immediately.

Use a separate electrical circuit for your tool. This circuit must not be less than #14 wire and should be protected with a 15 Amp time delay fuse. Before connecting the motor to the power line, make sure the switch is in the off position and the electric current is rated the same as the current stamped on the motor nameplate. Running at a lower voltage will damage the motor.

GUIDELINES FOR EXTENSION CORDS

USE THE PROPER EXTENSION CORD. Make sure your extension cord is in good condition. Use an extension cord heavy enough to carry the current your product will draw. An undersized cord will cause a drop in line voltage resulting in loss of power, overheating and burning out of the motor. The table below shows the correct size to use depending on cord length and nameplate ampere rating. If in doubt, use the next heavier gauge. The smaller the gauge number, the heavier the cord.

Make sure your extension cord is properly wired and in good condition. Always replace a damaged extension cord or have it repaired by a qualified technician before using it. Protect your extension cords from sharp objects, excessive heat and damp or wet areas.

MINIMUM GAUGE FOR EXTENSION CORDS (AWG)					
(When using 120 volts only)					
Ampere Rating		Total length of Cord			
More Than	Not More Than	25 (7.62)	50 15.24	100 30.48	150 ft. 45.72 m
		AWG- American Wire Gauge			
0	6	18	16	16	14
6	10	18	16	14	12
10	12	16	16	14	12
12	16	14	12	Not Recommended	

⚠ WARNING

Do not expose to rain or use in damp locations.

This tool is intended for use on a circuit that has a receptacle like the one illustrated in Fig. 1. Fig. 1 shows a three-pronged electrical plug and receptacle that has a grounding conductor. If a properly grounded receptacle is not available, an adapter (Fig. 2) can be used to temporarily connect this plug to a two-contact grounded receptacle.

The adapter (Fig. 2) has a rigid lug extending from it that **MUST** be connected to a permanent earth ground, such as a properly grounded receptacle box.

⚠ CAUTION

In all cases, make certain the receptacle is properly grounded. If you are not sure, have a qualified electrician check the receptacle.

Fig. 1

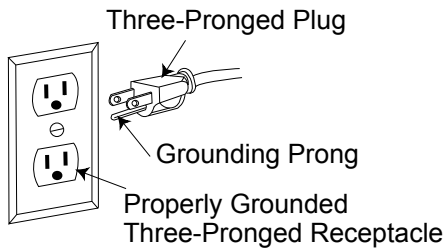
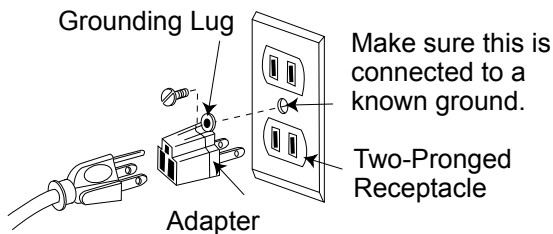


Fig. 2

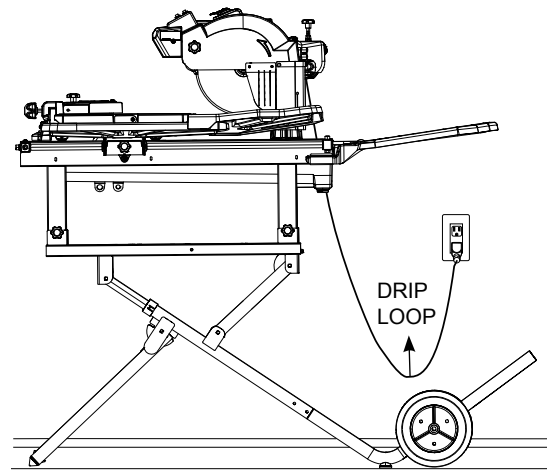


POSITION OF TILE SAW

To avoid the possibility of the appliance plug or receptacle getting wet, position the tile saw to one side of a wall-mounted receptacle to prevent water from dripping onto the receptacle or plug. The user should arrange a “drip loop” in the cord connecting the saw to a receptacle (see Fig. 3). The “drip loop” is that part of the cord below the level of the receptacle, or connector if an extension cord is used, to prevent water traveling along the cord and coming in contact with the receptacle.

If the plug or receptacle does get wet, **DO NOT** unplug the cord. Disconnect the fuse or circuit breaker that supplies power to the tool. Then, unplug and examine for presence of water in the receptacle.

Fig. 3



EXTENSION CORDS

1. Use only extension cords that are intended for outdoor use. These extension cords are identified by a marking “Acceptable for use with outdoor appliances; store indoors while not in use.” Use only extension cords having an electrical rating not less than the rating of the product.

Do not use damaged extension cords. Examine extension cord before using and replace if damaged.

Do not abuse extension cords and do not yank on any cord to disconnect. Keep cord away from heat and sharp edges.

Always disconnect the extension cord from the receptacle before disconnecting the product from the extension cord.

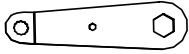
2. ⚠ WARNING

To reduce the risk of electrocution, keep all connections dry and off the ground. Do not touch plug with wet hands.

3. Ground Fault Circuit Interrupter (GFCI) protection should be provided on the circuit(s) or outlet(s) to be used for the tile saw. Receptacles are available having built-in GFCI protection and may be used for this measure of safety.

TOOLS NEEDED FOR ASSEMBLY

Supplied



Blade wrench



Universal wrench

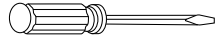


5 mm hex key

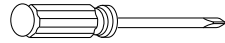


3 mm hex key

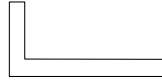
Not Supplied



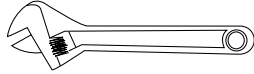
Flat bladed screwdriver



Phillips screwdriver



Framing square



Adjustable wrench and/or
10 mm wrench



8 mm hex key

CARTON CONTENTS

UNPACKING AND CHECKING CONTENTS

Carefully unpack the tile saw and all its parts, and compare against the list below and the illustration on the next page. With the help of an assistant place the saw on a secure surface and examine it carefully.

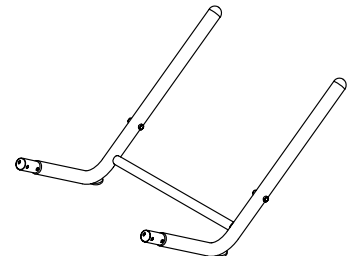
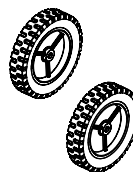
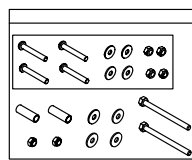
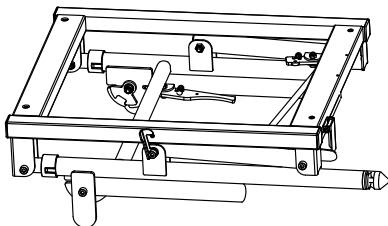
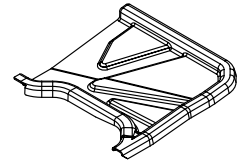
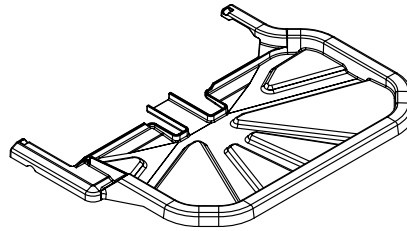
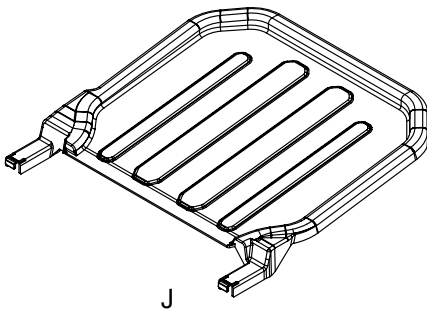
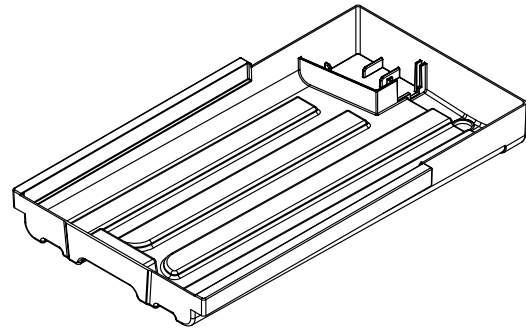
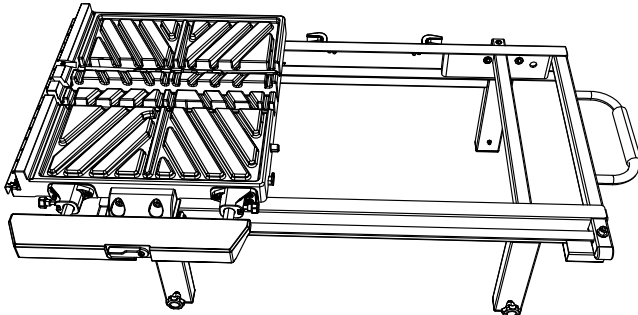
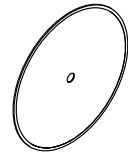
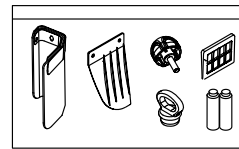
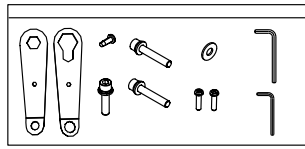
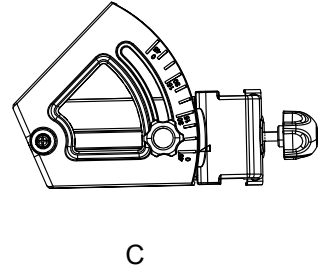
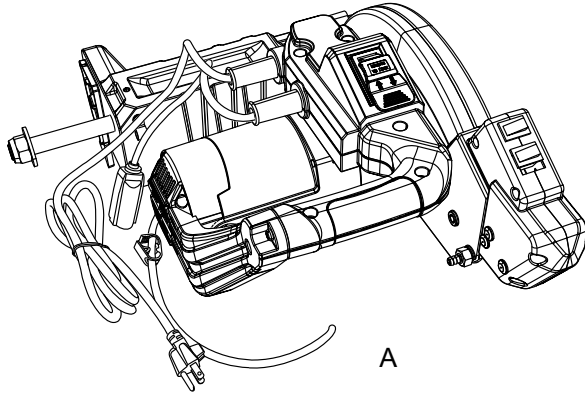
⚠ WARNING

- To avoid injury from unexpected starting or electrical shock, do not plug the power cord into a source of power during unpacking and assembly. The cord must remain unplugged whenever you are adjusting / assembling the tile saw.
- The tile saw is heavy and should be lifted with care. If needed, get the assistance of someone to lift and move the tile saw.
- If any part is missing or damaged, do not attempt to assemble the tile saw, or plug in the power cord until the missing or damaged part is correctly replaced.

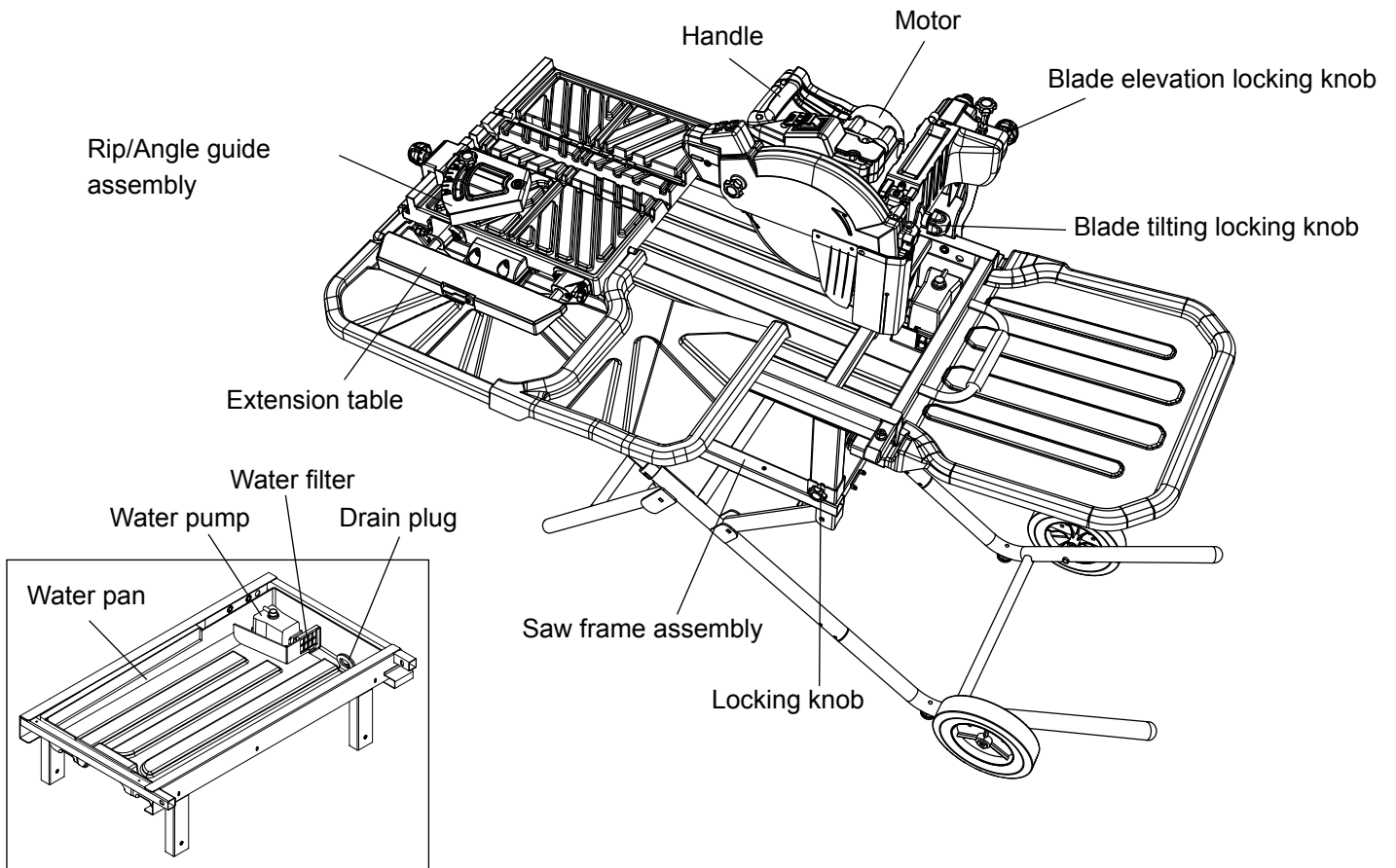
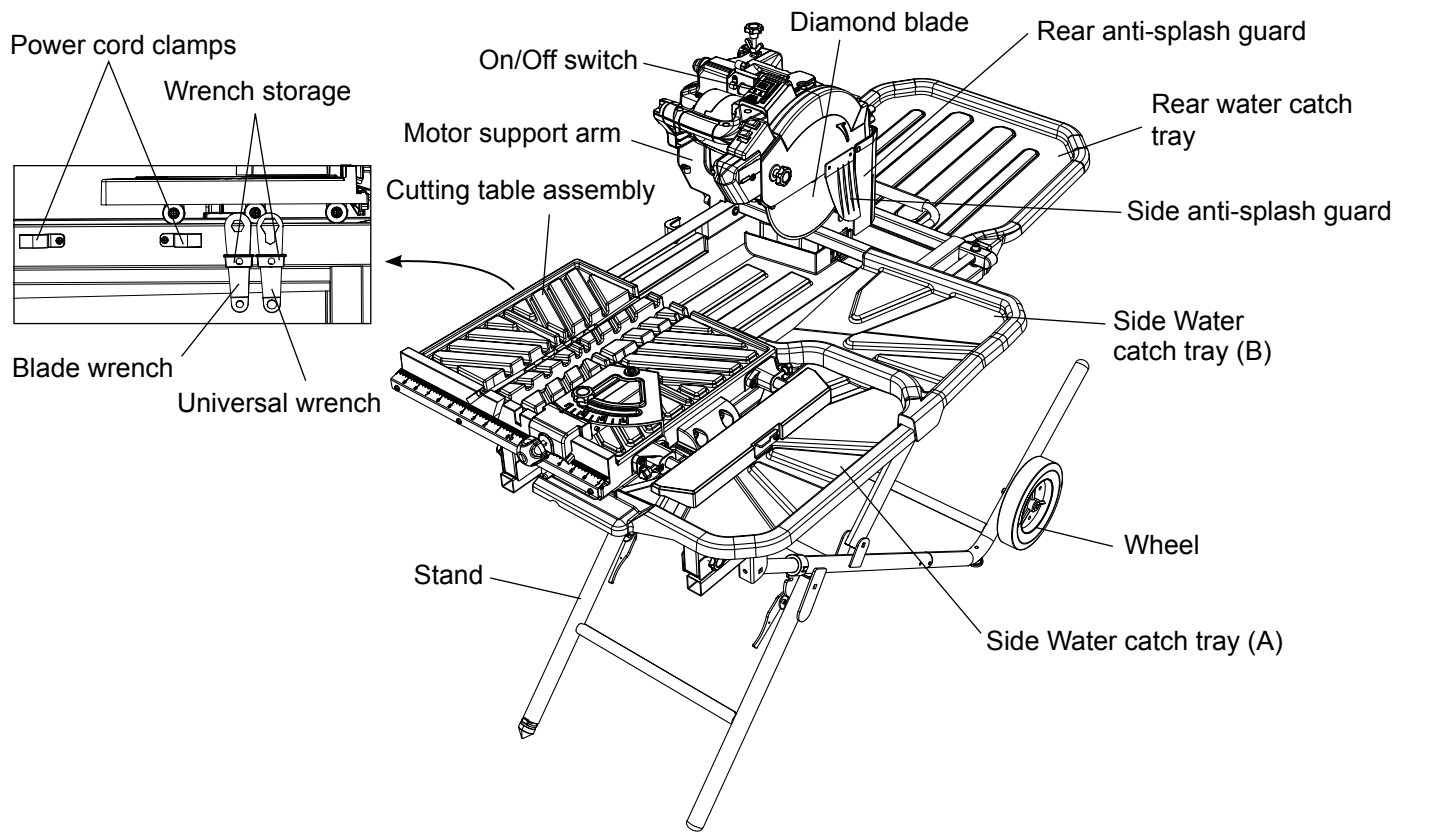
TABLE OF LOOSE PARTS

ITEM	DESCRIPTION	QUANTITY
A.	Cutting head assembly	1
B.	Motor support arm	1
C.	Rip/Angle guide assembly	1
D.	Water pump	1
E.	Hardware bag: two wrenches, 5 mm hex key, 3 mm hex key, anti-splash guard securing screws	1
F.	Hardware bag: side anti-splash guard, rear anti-splash guard, drain plug and water filter, blade elevation locking knob, AAA batteries	1
G.	10 in. Diamond blade	1
H.	Cutting table assembly	1
I.	Water pan	1
J.	Rear water catch tray	1
K.	Side water catch tray (A)	1
L.	Side water catch tray (B)	1
M.	Stand assembly	1
N.	Stand hardware bag	1
O.	Wheels	2
P.	Leg tube	1

UNPACKING YOUR JOBSITE TILE SAW



KNOW YOUR JOBSITE TILE SAW



ASSEMBLY AND ADJUSTMENTS

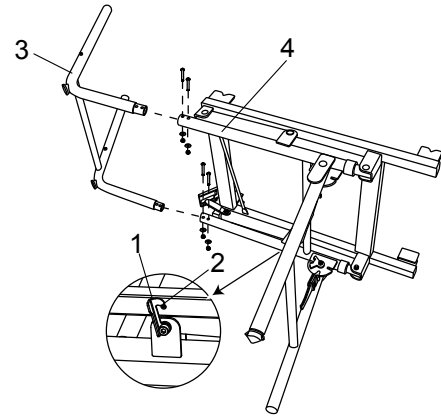
⚠ WARNING

For your safety, never connect plug to power source receptacle until all assembly and adjustment steps are complete, and you have read and understood the safety instructions.

ASSEMBLING THE STAND (FIG. A)

- Unpack all parts, and group them together by type and size. Refer to the parts list (page 8-9) in order to verify the correct quantities.
- Release the hook (1) from the stop screw (2).
- **Bag "N" Hardware** - Attach the bent leg tube (3) to the both sides of the stand leg (4) using four screws, four washers, and four nuts, as shown.
- Tighten the four nuts (Fig. A) with a phillips screwdriver and a 10 mm wrench.

Fig. A



ASSEMBLING THE WHEELS (FIG. B)

- **Bag "N" Hardware** - Attach one wheel to the rear leg using the long hex bolt (1), the two flat washers (2), the sleeve (3) and the lock nut (4), as shown. **NOTE:** Verify that the side of the wheel that has more ribs (5) is facing inward toward the stand.
- Tighten using the Universal wrench for the lock nut (4) and the attached blade wrench provided for the bolt (1).
- Repeat the above steps for the other wheel to the rear leg.

Fig. B

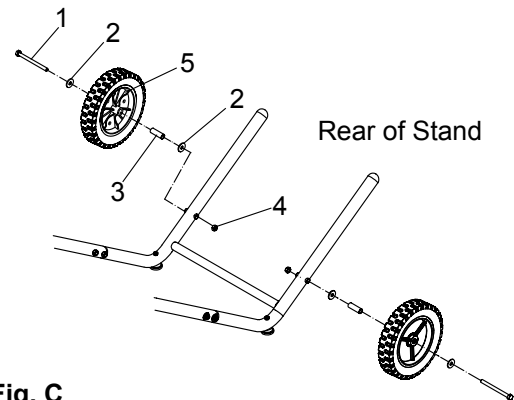
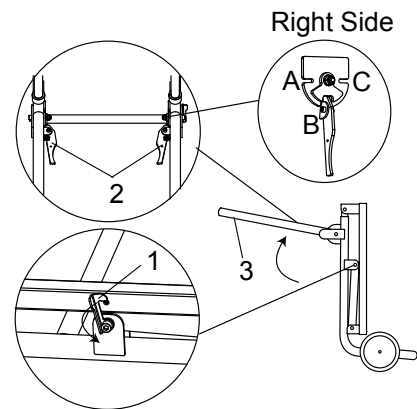


Fig. C



SETTING UP THE STAND (FIG. C, D, E)

- Lift up the left side of the stand as shown. (Fig. C)
- Unfold the left side leg set (3) by releasing the locking levers (2) from slot A to slot B, then rest the left side of the stand onto the floor.
- Release the hook (1) from the stop screw. (Fig. C)
- Lift the right side frame of stand slowly upward to its highest position, (Fig. E) the locking knob (4) will rebound to left automatically to secure the stand. (Fig. D) To properly lock the stand, the red lever MUST be secured in the slot on this cover plate.

Fig. D

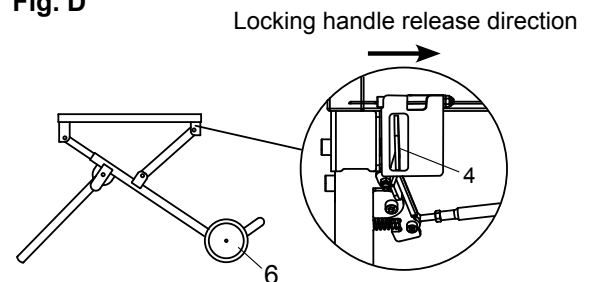
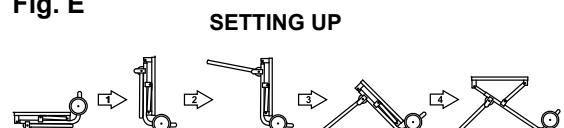


Fig. E



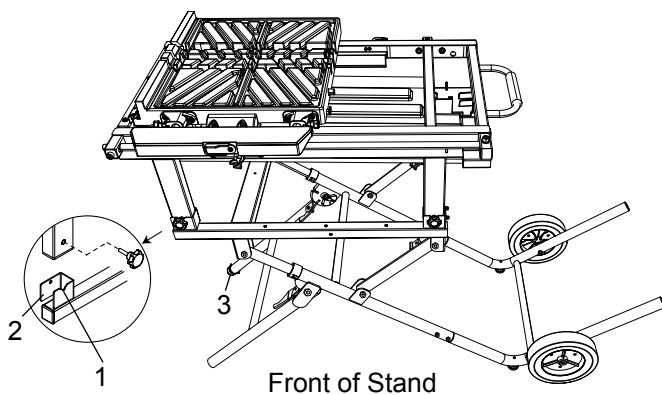
⚠ WARNING

For your safety, never connect plug to power source receptacle until all assembly and adjustment steps are complete, and you have read and understood the safety instructions.

ASSEMBLING TILE SAW TO STAND (FIG. F)

- Lift the saw body and place it on the stand, aligning the four mounting grooves (1) of the bracket (2) on the top of the stand.
- Insert the four locking knobs through the hole located on the base frame and the holes of the brackets (2).
- Tighten the four locking knobs.

Fig. F



- Place the stand on a level surface and adjust the stand adjustment knob (3) located on the right front stand leg. Adjust until all legs are contacting the floor and are at a similar angle to the floor.

NOTE: Before using the saw, verify that the tile saw is securely locked in position, and that the right front stand adjustment knob (3) has stabilized the tile saw.

FOLDING THE STAND (FIG. C, D, G)

⚠ WARNING

Read all instructions on the manual and labels before operating the stand.

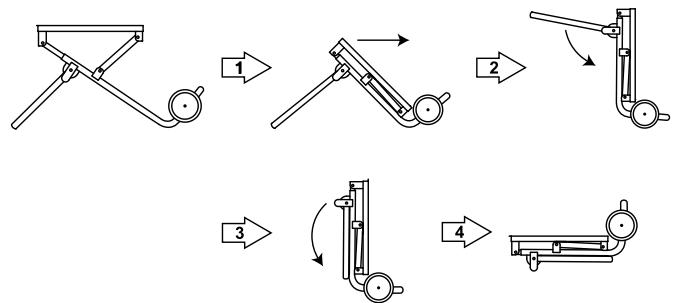
- Lift the right side of tile saw slightly, raise the cover plate on the right side of stand, pull the locking knob right out as the release direction, and then move the saw slowly close to the wheel (6). (Fig. D)
- Rotate the hook to the stop screw to secure the legs of the stand in position. (Fig. C)
- Rest the right side of the saw onto the floor.
- Fold the left side leg set (3) close to the base by releasing the two left side locking levers (2) from the slot B to the slot A.
- Fold the stand slowly downward as shown. (Fig. G)

TRANSPORTING THE SAW (FIG. C, G)

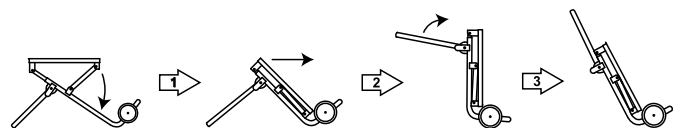
- Repeat the steps of 1 to 3 on the section “FOLDING THE STAND”.
- Unfold the left side leg set (3) by releasing the two left side locking levers (2) from the slot B to the slot C. (Fig. C)
- Move the saw to the desired location for operation or store the saw in a dry environment by using the left side leg set as handle.

Fig. G

FOLDING



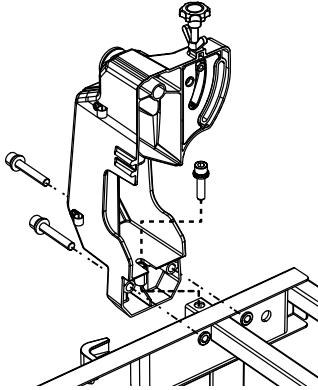
TRANSPORTING



ASSEMBLING THE MOTOR SUPPORT ARM (FIG. H)

- Install the motor support arm onto base frame. Thread the two bolts (from bag E) into the side holes of the motor support arm.
- Thread the bolt into the inner hole of the motor support arm.
- Tighten all three bolts using an 8 mm hex key.

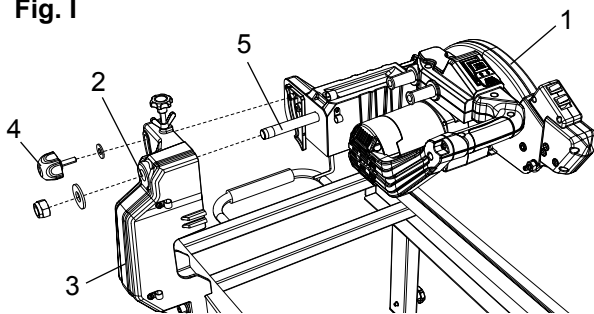
Fig. H



ASSEMBLING THE CUTTING HEAD ASSEMBLY (FIG. I)

- Remove the nut and the washer from the pivot rod (5).
- Attach the cutting head assembly (1) onto the motor support arm aligning the hole (2) of the motor support arm (3).
- Place the washer and the nut on the pivot rod (5), as shown.
- Tighten the nut by using the provided universal wrench. Then, turn this nut counter-clockwise by 1/2 turn or one turn to adjust the spring torsion.
- Place the blade elevation locking knob (4) through the washer and the slot of the motor support arm (3). Tighten the locking knob.

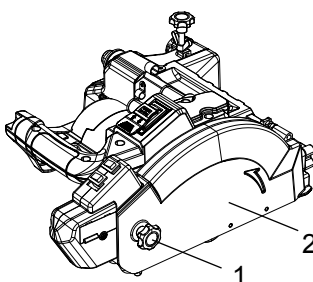
Fig. I



ATTACHING THE CUTTING BLADE (FIG. J, K, L)

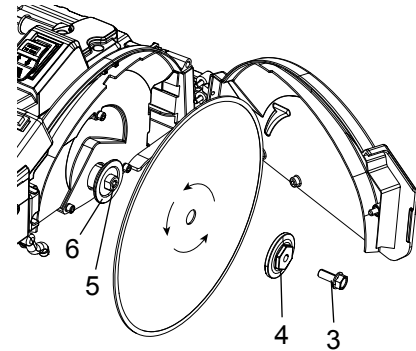
- Loosen the blade cover locking knob (1) and open the blade cover (2). (Fig. J)

Fig. J



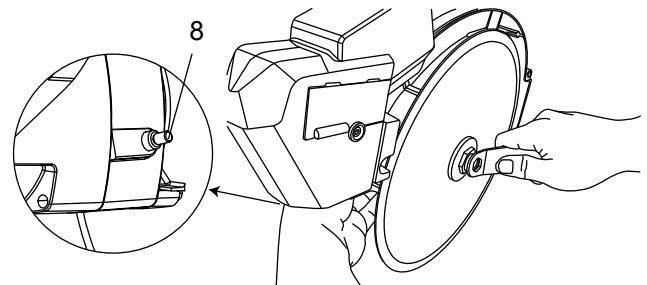
- Press the arbor lock button (8) on the motor under the handle, holding it in firmly. (Fig. L)
- Loosen the arbor bolt (3) and take the arbor bolt and the outer blade flange (4) off. (Fig. K)
- Place the blade onto the shaft (5).
- Make sure the blade fits flush against the inner flange (6) and the rotation arrow is pointing in the correct direction.

Fig. K



- Place the blade wrench on the arbor bolt (3-Fig. K).
- Press the arbor lock button (8) on the motor under the handle, holding it in firmly while turning the blade counter-clockwise. When arbor lock engages, continue to press arbor lock button (8) in while tightening the arbor bolt securely by turning the blade wrench clockwise. (Fig. L)

Fig. L



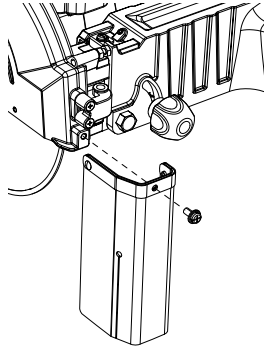
- Close the blade cover back its original position and tighten the blade cover locking knob (1). (Fig. J)

INSTALLING THE ANTI-SPLASH GUARDS (FIG. M, N)

Rear anti-splash guard (Fig. M)

- Attach the rear anti-splash guard on the rear of the cutting head assembly.
- Thread the screw (Bag "E") and tighten it by using the Phillips screwdriver.

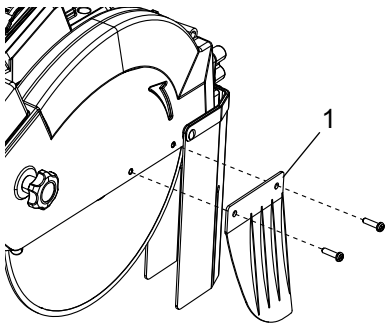
Fig. M



Side anti-splash guard (Fig. N)

- Attached the side anti-splash guard (1) on the blade cover.
- Thread two supplied screws (Bag "E") and tighten them by using the Phillips screwdriver.

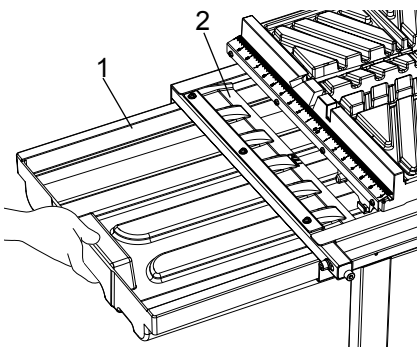
Fig. N



INSTALLING THE WATER PAN (FIG. O)

- Slide the water pan (1) on the right & left tracks located under the water splash plate (2) in the base frame. The water pan drain hole should be located under the blade.

Fig. O

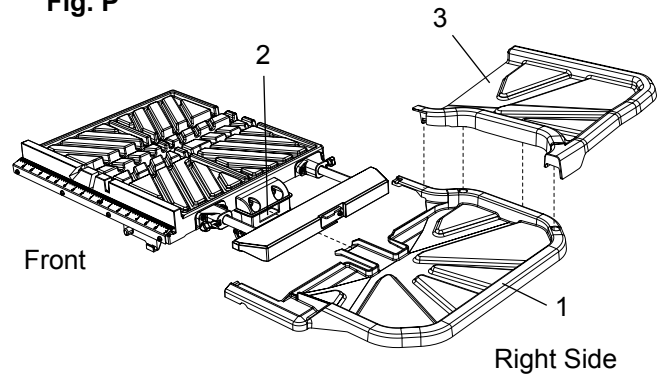


NOTE: To remove the water pan, first lift up slightly on the water splash plate (2) then pull out the water pan.

INSTALLING THE SIDE WATER TRAYS (FIG. P)

- Attach the side water attachment (1) on the right of the cutting table assembly, aligning the slot (2) under the extension wing.
- Align the left side of the side water attachment (3) to the right side of the side water attachment (1) and overlap the side water attachment as shown.

Fig. P

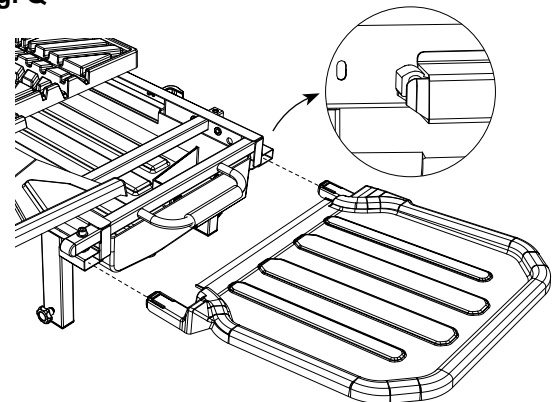


INSTALLING THE REAR WATER TRAY (FIG. Q)

- Attach the rear water attachment on the rear of the base frame, aligning the two slots located on the left and right rear of the base frame.

NOTE: Make sure that the protrusions of two ends of the rear water attachment thoroughly pass through out of the slots to complete the installation.

Fig. Q



ASSEMBLING THE WATER PUMP (FIG. R, S)

- Place the drain plug (1) and water filter (2) in the water pan (3) as shown. (Fig. R)
- Connect the end of the water tube (4) to the nozzle (6), located on the top of the water pump (5).
- Place the water pump (5) in the corner of the water pan, near the water filter. (Fig. R)
- Insert the pump power cord (7) into the power cord socket (8). (Fig. S)

Fig. R

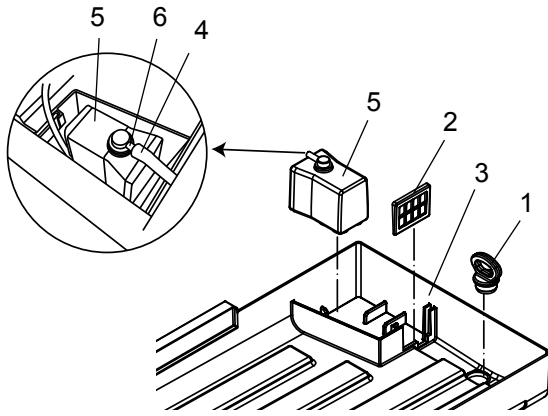
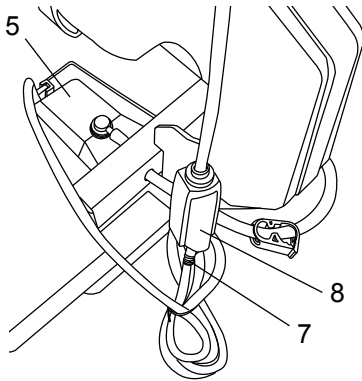


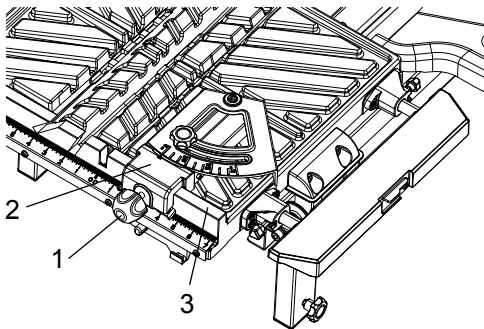
Fig. S



INSTALLING THE RIP/ANGLE GUIDE (FIG. T)

- Loosen the locking handle (1).
- Place the Rip/Angle guide body (2) on the front rail (3) of tile table to the desired position.
- Tighten the locking handle (1).

Fig. T



⚠ WARNING

This saw was adjusted for accuracy at the factory. During Shipping the components may have been moved out of alignment. In addition, usage and time will necessitate adjustments to be made.

⚠ WARNING

To prevent personal injury:

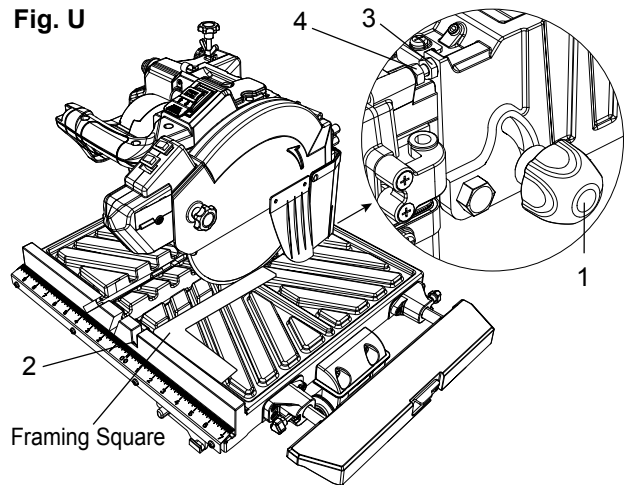
- Always disconnect plug from the power source when making any adjustments.
- This adjustment must be correct or accurate cuts can not be made. Also inaccurate adjustment can result serious personal injury.

TRUING (SQUARING) THE CUTTING BLADE (FIG. U, V)

Checking the cutting blade alignment (Fig. U)

- Place a 90° framing square flat on the cutting table surface with one end against the table fence.
- Push the cutting table along the cutting blade to determine if the groove along the 90° framing square is consistently flush against the blade throughout the length of the stroke.
- If the groove is not consistent, see the next steps.

Fig. U



Adjusting the cutting blade 90° to cutting table (Fig. U)

- Disconnect the saw from the power source.
- Loosen the blade tilting locking knob (1) and make sure the cutting blade is in the maximum vertical position. Tighten the locking knob (1).
- Place a 90° framing square on the cutting table surface.
- If the cutting blade is not 90° to the groove (2), loosen the lock nut (3) with the 10 mm hex wrench and turn the bolt (4) in or out accordingly. Until the blade is flush with the framing square, while moving down the center of the groove.
- Make sure that the cutting blade does not touch either side of the groove (2) in the cutting table by pushing the table past the cutting blade.

Adjusting the cutting blade 45° to cutting table (Fig. V)

- Disconnect the saw from the power source.
- Loosen the blade tilting locking knob (1) and move the cutting blade to the maximum bevel position, then tighten the locking knob (1).
- Place the combination square to the cutting table surface.
- If the cutting blade is not 45° to the groove (2), turn the bolt (3) in or out accordingly by using the 3 mm hex key.
- Loosen the blade tilting locking knob (1), move the cutting blade until it is 45° to the cutting table surface and tighten the locking knob (1).
- Make sure that the cutting blade does not touch either side of the groove (2) in the cutting table by pushing the table past the cutting blade.

Fig. V

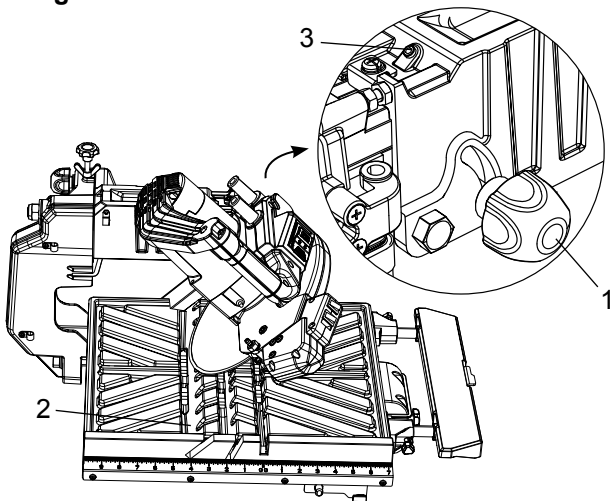
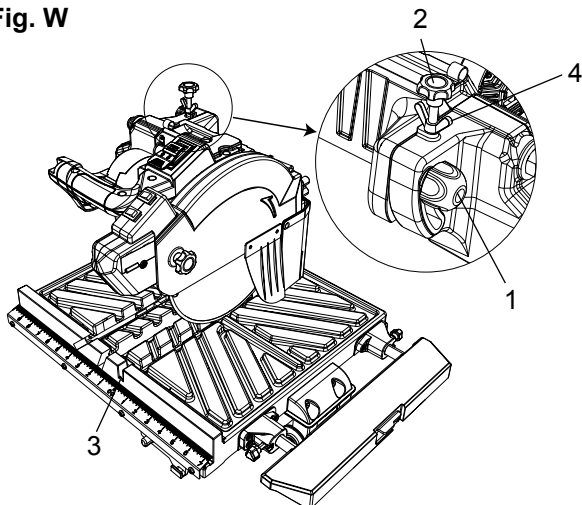


Fig. W



CUTTING BLADE DEPTH (FIG. W)

- Loosen the blade elevation locking knob (1).
- Adjust the cutting head down until the outer rim of the cutting blade is at least 3/16 in. (5 mm) below the cutting table surface.
- While holding the upper arm in that position, tighten the blade elevation locking knob (1).
- Recheck the cutting blade depth by pushing the cutting table front to back past the cutting blade and make sure the cutting blade does not touch the grooves of the cutting table.

Adjusting the cutting blade depth

The maximum depth travel of the cutting head was set at the factory. Check to make certain that the cutting head extends to 3/16 in. (5 mm) below the cutting table surface. If the maximum depth needs readjusting:

- Loosen the blade elevation locking knob (1).
- Move the cutting head down until the cutting blade extends just 3/16 in (5 mm) below the cutting table surface.
- Loosen the wingnut (4).
- Turn the locking knob (2) in or out accordingly.
- Make sure the cutting blade does not touch either side of the groove (3) in the cutting table by pushing the table past the cutting blade.
- Tighten the wingnut (4).
- Tighten the blade elevation locking knob (1).

INSERTING AND REPLACING THE LASER BATTERIES (FIG. X)

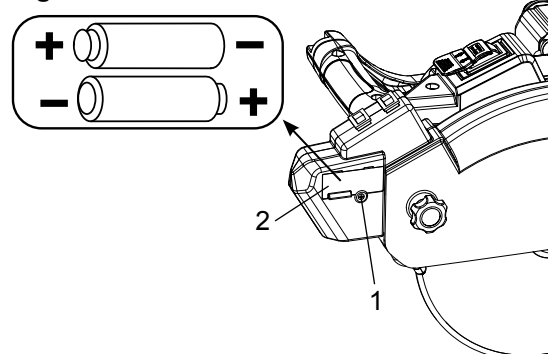
- Unplug your tile saw.

⚠ WARNING

Failure to unplug your tool could result in accidental starting and causing possible serious personal injury.

- Loosen the screw (1) and open the battery cover (2).
- Insert the two supplied AAA batteries in the case as per the diagram below. If replacing the batteries, take out the old batteries and place with new AAA batteries. Dispose of old batteries properly.
- Close the battery cover (2) and tighten the screw (1).

Fig. X



THE LASER GUIDE (FIG. Y)

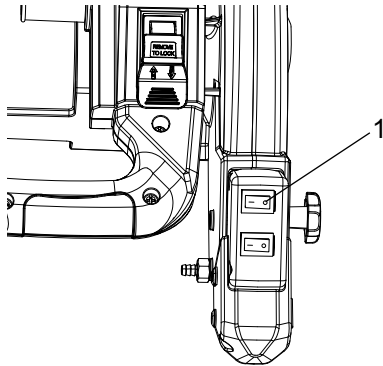
⚠ WARNING

For your own safety, never connect the plug to a power source outlet until all the adjustment steps are complete and you have read and understood the safety and operational instructions.

To turn laser guide on

- To turn laser on, press on/off rocker switch (1) to "I" position.
- To turn laser off, press on/off rocker switch (1) to "O" position.

Fig. Y

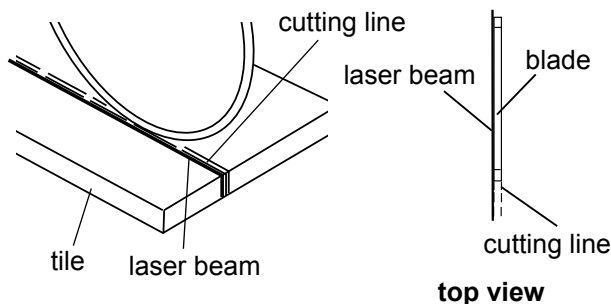


NOTE: Your tool is equipped with the Laser Guide using a Class IIIa laser beam. The laser beam will enable you to preview the saw blade path on the stock to be cut before starting the tile saw. This laser guide is powered by two AAA 1.5 volt batteries.

ALIGNING THE LASER GUIDE (FIG. Z)

If you choose to use the laser guide, the laser beam must be correctly aligned with the blade to ensure straight, even cutting. Your tool is equipped with the Laser Guide cutting guide using Class IIIa laser beam. The laser beam will enable to preview the saw blade path on the stock to be cut before starting the tile saw. This laser guide is powered by two AAA 1.5 volt batteries. The laser on/off switch must be turned on for the laser line to show.

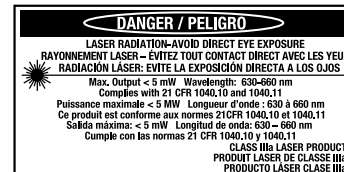
Fig. Z



AVOID DIRECT EYE CONTACT

⚠ WARNING

- Laser radiated when laser guide is turned on. Avoid direct eye contact. Always un-plug the tile saw from power source before making any adjustments.
- Laser Warning Label: Max. Output < 5 mW Wavelength: 630-660nm, Complies with 21 CFR 1040.10 and 1040.11 Class IIIa Laser Product.



- Laser Aperture Label: AVOID EXPOSURE: Laser radiation is emitted from this aperture.



- **NOTE:** All the adjustments for the operation of this machine have been completed at the factory. Due to normal wear and use, some occasional readjustments may be necessary.
- **CAUTION:** Use of controls or adjustments or performance of procedures other than those specified herein may result in hazardous radiation exposure.
- **CAUTION:** The use of optical instruments with this product will increase eye hazard.
- Do not attempt to repair or disassemble the laser. If unqualified persons attempt to repair this laser product, serious injury may result. Any repair required on this laser product should be performed by authorized service center personnel.

LASER GUIDE ADJUSTMENT (FIG. BB, CC, DD, EE)

NOTE: All the adjustments for the operation of this machine have been completed at the factory. Due to normal wear and use, some occasional readjustments may be necessary.

A. Checking Laser Beam Alignment

- Set the saw to a 0° miter and 0° bevel setting.
- Take a board and using a straight end, mark a 90° line on the top and front of the board. This line will service as a “pattern line” for all laser beam alignments. Place the board on the saw table.
- Carefully lower the saw head down to align the saw blade with the pattern line. Position the saw blade to the left, center or right side of the “pattern line” depending on your preference for the laser beam location.
- Turn on the laser guide. Your saw has been preset with the laser beam to the left side of the blade.
- Looking at the front of the tile, if the laser beam is not parallel to the “pattern line” please follow the instructions listed before under Procedure A.
- Looking at the top of the tile, if the laser beam is not parallel to the “pattern line” please follow the instructions listed before under Procedure B.
- Looking at the top of the tile, if the laser beam is not flush with the “pattern line”, please follow the instructions listed before under Procedure C.

B. Adjusting the Position of the Laser Beam (Fig. BB, CC, DD, EE)

NOTE: There are three adjustment screws on the laser guide. Use a 3 mm hex wrench to make any needed adjustments.

- Remove three black caps (1) to show the laser adjustment screws (2, 3, 4). (Fig. BB)

Procedure A (Fig. BB, CC)

- Slightly turn the adjustment screw (2) to adjust the vertical angle of laser beam on the front of the board. When laser beam angled from left to right, turn the adjustment screw (2) clockwise; if the laser beam angles right to left, turn the adjustment screw (2) anti-clockwise until the laser beam is parallel with the vertical pattern line.

Procedure B (Fig. BB, DD)

- Slightly turn adjustment screw (3) to adjust the horizontal angle of laser beam on the top of the board. If the laser beam is out of parallel from left to right, turn the adjustment screw (3) clockwise; if the laser beam is out of parallel from right to left, turn the adjustment screw (3) anti-clockwise until the laser beam is parallel with the vertical pattern line.

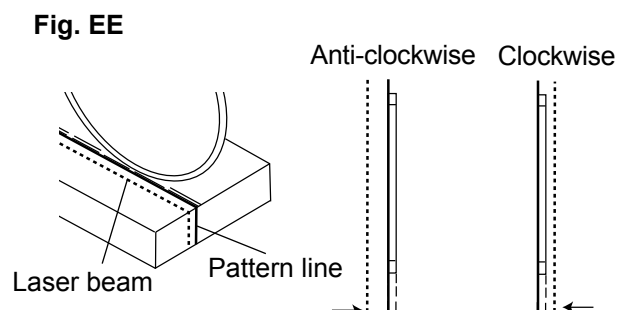
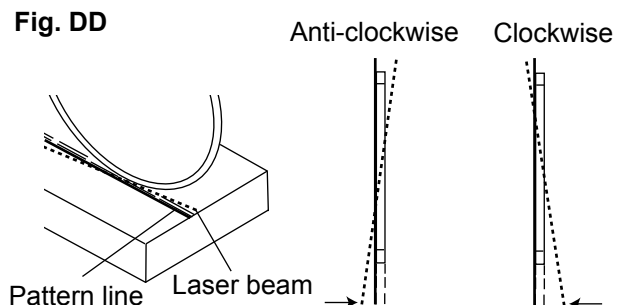
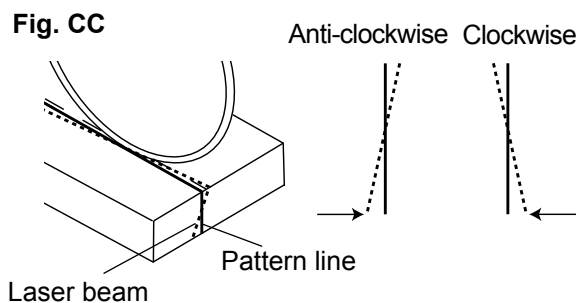
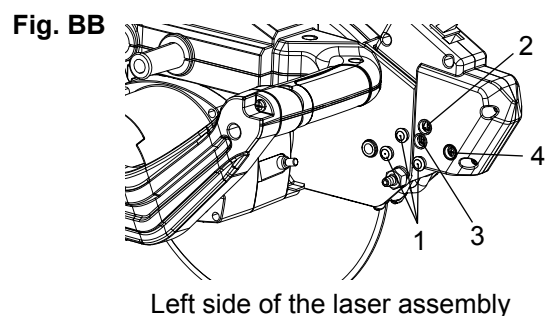
Procedure C (Fig. BB, EE)

NOTE: The pattern line should flush with the left side of the cutting line.

- Turn slightly the adjustment screw (4) for adjusting the laser beam alignment. If the laser beam is on the right side of the pattern line, turn the adjustment screw (4) clockwise; if the laser beam is on the left side of the pattern line, turn the adjustment screw (4) anti-clockwise.
- After laser adjustment, recheck the laser beam alignment.
- Replace the black caps (1) back.

NOTE: The caps (1) prevent water from getting into the laser assembly.

NOTE: If you have any problem or question on the laser guide, please call the Service Center.



OPERATION

BEFORE USING THE TILE SAW

⚠ WARNING

To avoid mistakes that could cause serious, permanent injury, do not plug the tool in until the following steps are completed:

- Completely assemble and adjust the tile saw, following the instructions. (SEE ASSEMBLY AND ADJUSTMENTS SECTIONS).
- Review and understand all safety instructions and operating procedures in this Operator's Manual. (SEE SAFETY & OPERATIONS SECTIONS).
- Review the MAINTENANCE and TROUBLESHOOTING GUIDE for your tile saw.
- To avoid injury or possible death from electrical shock, make sure your fingers do not touch the plug's metal prongs when plugging or unplugging your tile saw. (SEE ELECTRICAL REQUIREMENTS AND SAFETY SECTIONS).

BASIC SAW OPERATIONS

⚠ WARNING

- Overfilling the water basin can lead to water entering the motor compartment and potential electric shock.
- When filling/draining water basin, make sure wet tile saw is unplugged from wall outlet.

LED LIGHT ON/OFF SWITCH (FIG. FF)

- To turn the LED light on, press light on/off rocker switch (1) to "I" position.
- To turn the LED light off, press light on/off rocker switch (1) to "O" position.

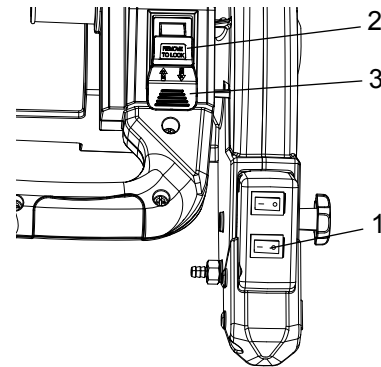
ON/OFF SWITCH (FIG. FF)

The ON/OFF switch has a black removable safety key. With the key removed from the switch, unauthorized and hazardous use by children and others is minimized and the saw will not turn on.

- To turn the saw "ON", insert the key (2) into the slot of the switch (3), and move the switch upward to the "ON" position.
- To turn the saw "OFF", move the switch downward.
- To lock the switch in the OFF position, grasp the sides of the safety switch key, and pull it out.
- With the switch key removed, the switch will not operate to power the saw on.

- If the switch key is removed while the saw is running, it can be turned "OFF" but cannot be restarted without inserting the switch key.

Fig. FF



⚠ WARNING

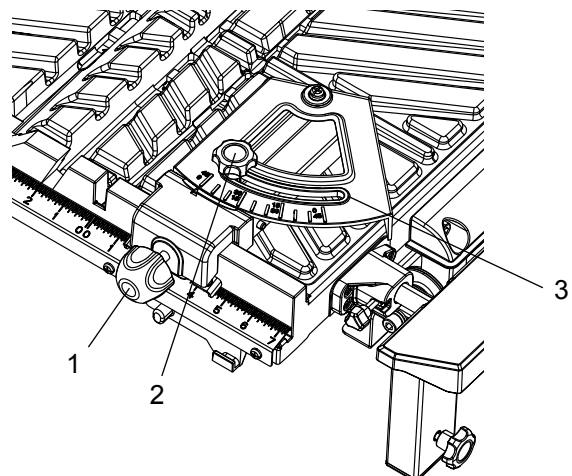
ALWAYS lock the switch "OFF" when the tile saw is not in use. Remove the key and keep it in a safe place. In the event of a power failure, blown fuse, or tripped circuit breaker, turn the switch "OFF" and remove the key, preventing an accidental startup when power comes on.

USING THE RIP/ANGLE GUIDE (FIG. GG)

NOTE: The miter scale on the Rip/Angle guide can be easily read, showing miter angles from 0° to 45° to the left and the right. The positive stops are 0°, 15°, 30° and 45°.

- Loosen the locking handle (1) to move the guide along the front rail to the desired position and handle.
- Loosen the locking knob (2) to turn the guide to the desired angle along the arc slot (3) and then tighten the locking knob (2).

Fig. GG



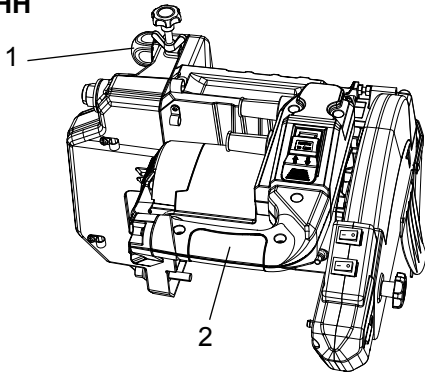
RAISE THE CUTTING HEAD (FIG. HH)

NOTE: Always turn OFF when raising or pressing down the cutting head.

- Loosen the blade elevation locking knob (1).
- Lift the handle (2) upward to raise the cutting head.
- When adjusting the cutting head to the desired height, tighten the blade elevation locking knob (1) to lock.

NOTE: When transporting or storing the tile saw, the cutting head should always be locked in the low position.

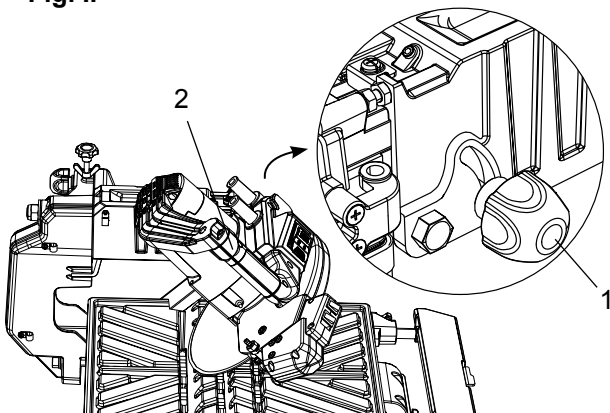
Fig. HH



TILTING THE CUTTING HEAD (FIG. II)

- To tilt the blade for bevel cutting, loosen the blade tilting locking knob (1) behind the motor head.
- Firmly grasp the handle (2) and tilt the cutting head by turning the handle (2) clockwise.
- Tighten the blade tilting locking knob (1).
- Please note that there are 2 slots in table that will accept 22.5° and 45° angles.

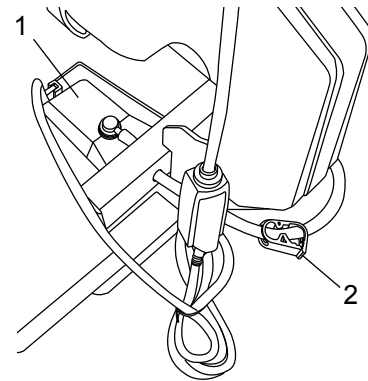
Fig. II



USING THE WATER PUMP (FIG. JJ)

- Attach the water tube to the water pump (1) and insert the pump power cord into the power cord socket. (See ASSEMBLING THE WATER PUMP)
- Fill the water pan with 5 gallons of water. The pump should be submerged.
- **NOTE:** Always place the pump in a clean water source.
- Turn saw on. If the water flow need adjusted, use the flow restrictor (2) on the water tube.

Fig. JJ



LOCKING THE CUTTING TABLE ASSEMBLY FOR TRANSPORTING (FIG. KK)

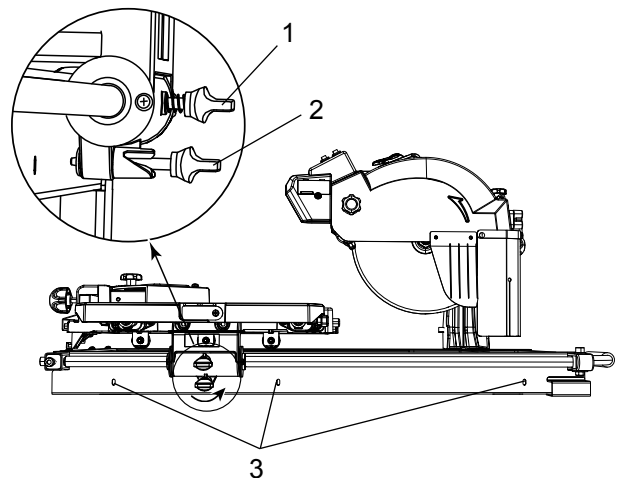
There are three positive locking position for the cutting table:

NOTE: When transporting the tile saw, the cutting table must be locked into one of the positive stops to prevent the saw from damage.

- Loosen the cutting table locking handle (1) anti-clockwise and rotate the cutting table locking lever (2).
- Move the cutting table to one of the positive locking position and lock the table by rotating the table locking lever (2) clockwise.

NOTE: The pin of the table locking lever (2) will lock into a hole at one of the three positive stops (3).

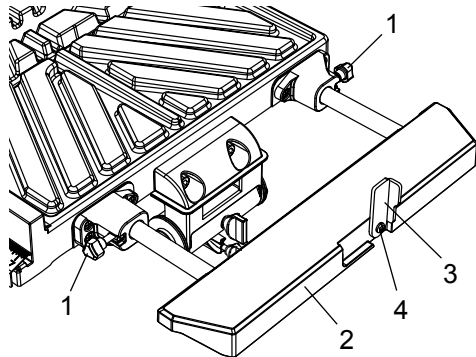
Fig. KK



USING THE EXTENSION TABLE, FOR SUPPORTING LARGE FORMAT TILE (FIG. LL)

- Loosen the extension table locking knobs (1).
- Pull the extension table (2) out to the desired position. Tighten the extension table locking knobs (1).
- The stop plate (3) is designed for repetitive cutting. Rotate the stop plate (3) to vertical position. If stop plate will not rotate, loosen the locking screw (4) 1/4 turn.

Fig. LL



CUTTING OPERATION

⚠ WARNING

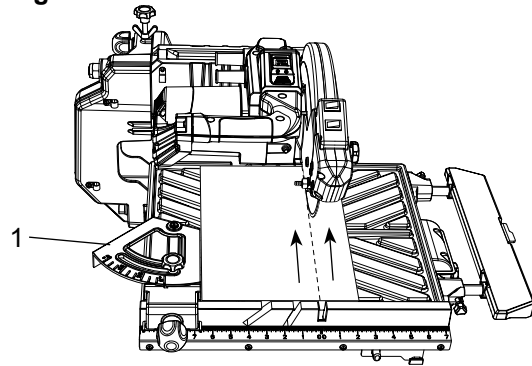
Before making any adjustments or removing or installing attachments or accessories, make sure the switch is in the OFF position to avoid injury from an accidental start.

Before turning the tile cutter on, verify the alignment of the cutting table and the cutting blade. Always center the cutting blade in one of the cutting table grooves before cutting.

STRAIGHT CUT (FIG. MM)

- Using a pencil or marker mark the area to be cut on tile.
- Place the tile on the cutting table against the Rip/ Angle guide (1) and align the mark with the cutting blade.
- Pull the switch upward to turn the tile saw. Allow the cutting blade to reach full speed and wait until the stream of water from the water nozzle completely covers the cutting blade.
- Using both hands to slowly push the cutting table toward the cutting blade to feed the tile into the cutting blade (Never force the material through the blade. Move at a slow consistent pace).
- Turn the tile saw off once cut is performed.

Fig. MM

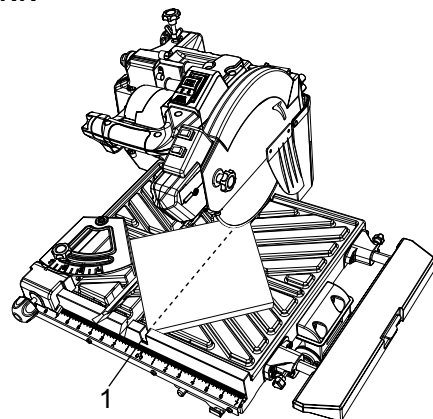


DIAGONAL CUT (FIG. NN)

NOTE: Diagonal cuts are also referred to as "long point to point cuts."

- Using a pencil or marker mark the area to be cut on tile.
- Align one point of the tile against the cut indicator (1) of the cutting table. The cut indicator means the exact location where the cutting blade will pass through the cutting table.
- Align the front of the tile to the cutting blade and hold against the Rip/Angle guide, which should be adjusted to proper angle.
- Pull the switch upward to turn the tile saw on to allow the cutting blade at the full speed and wait until the stream of water from the water nozzle completely cover the cutting blade.
- Using both hands to slowly push the cutting table toward the cutting blade to feed the tile into the cutting blade.
- Turn the tile saw off.

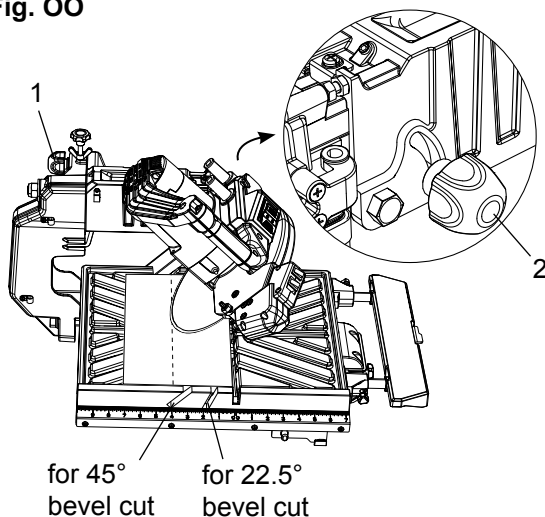
Fig. NN



BEVEL (MITER) CUT (FIG. OO)

- Using a pencil or marker marks the area to be cut on tile.
- Loosen the blade elevation locking knob (1) to raise the cutting head. Then, tighten the blade elevation locking knob.
- Loosen the blade tilting locking knob (2) to tilt the cutting head to 22.5° or 45° clockwise. Tighten the blade tilting locking knob.
- Loosen the blade elevation locking knob (1) to lower the cutting head in one of the 2 miter slots in the table. Then, tighten the blade elevation locking knob.
- Pull the switch upward to turn the tile saw on to allow the cutting blade at the full speed and wait until the stream of water from the water nozzle completely cover the cutting blade.
- Using both hands to slowly push the cutting table toward the cutting blade to feed the tile into the cutting blade.
- Turn the tile saw off.

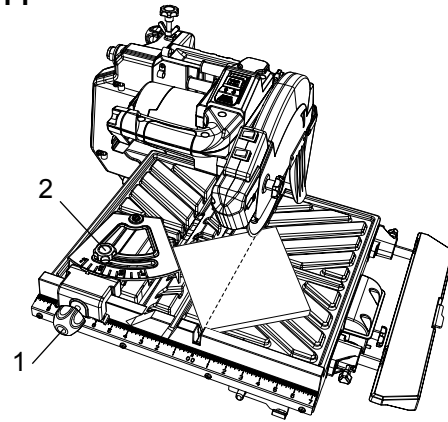
Fig. OO



ANGLE CUT (FIG. PP)

- Using a pencil or marker, mark the area to be cut on tile.
- Loosen the locking handle (1) to move the Rip/Angle guide along the front rail to the desired position and then tighten the locking handle (1).
- Loosen the locking knob (2) to turn the guide to the desired angle along the arc slot and then tighten the locking knob (2).
- Pull the switch upward to turn the tile saw on to allow the cutting blade at the full speed and wait until the stream of water from the water nozzle completely cover the cutting blade.
- Using both hands to slowly push the cutting table toward the cutting blade to feed the tile into the cutting blade.

Fig. PP

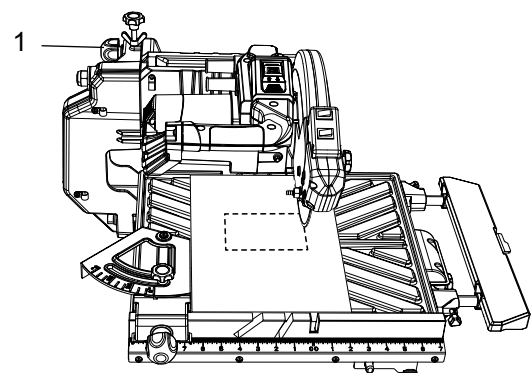


PLUNGE CUT (FIG. QQ)

NOTE: Plunge cuts mean to position the tile under the cutting blade directly and lower the cutting head to make cuts onto the interior of the tile .

- Using a pencil or marker, mark the area to be cut on tile.
- Loosen the blade elevation locking knob (1) to raise the cutting head upward to the maximum height.
- Pull the switch upward to turn the tile saw on to allow the cutting blade at the full speed and wait until the stream of water from the water nozzle completely cover the cutting blade.
- Hold the cutting head firmly by the handle.
- Move the tile on the cutting table underneath the cutting blade.
- Slowly lower the cutting head to make a cut on the tile. Then, raise the cutting head.
- Turn the tile saw off.
- Withdraw the cutting table from the cutting head and then adjust the tile position for the next cut.

Fig. QQ



MAINTENANCE

⚠ WARNING

Do not service, clean or maintain the saw without first turning off the motor and unplugging the saw from the power source. Failure to do so may result in serious personal injury.

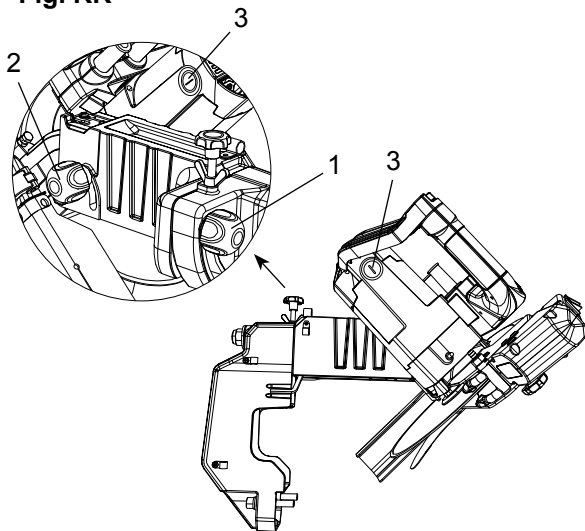
REPLACING CARBON BRUSHES (FIG. RR)

NOTE: Replace both carbon brushes when either has less than 1/4 in. length of carbon remaining, or if the spring or wire is damaged or burned.

- To inspect or replace brushes, first unplug the saw.
- Loosen the blade elevation locking knob (1) to raise the cutting head at the maximum height. Tighten the blade elevation locking knob.
- Loosen the blade tilting locking knob (2) to tilt the cutting head at 45° clockwise. Tighten the blade tilting locking knob.
- Then, remove the black plastic cap (3) on the side of the motor. Remove the cap cautiously, because it is springloaded. Pull out the carbon brush and replace.
- The ears on the metal end of the assembly go in the same hole the carbon part fits into. Tighten the cap snugly, but do not overtighten.
- Repeat for the carbon brush located on the other side of motor.

NOTE: To reinstall the same brushes, first make sure the brushes go back in the way they came out. This will avoid a break-in period that reduces motor performance and increases wear.

Fig. RR



CLEANING

- Insert the water pump into a bucket of clean water and pump the water through the hose.
- Turn off and unplug the saw from the power source.
- Place a bucket under the drain plug. Remove the drain plug and allow the water to empty into the bucket.
- Slide the edge guide off the rail system. Spray the Rip/Angle guide with a hose or wipe with a grout sponge or clean cloth.
- Wipe the cutting table, motor housing, and motor support arm with a grout sponge or clean cloth. Spray lubricants are not required on the rail or cutting blade.
- Remove all water catch trays and clean the water trays by spraying with a hose or wiping with a grout sponge.

Use clean cloth to remove dirt, dust, oil, grease, etc. Do not use gasoline, turpentine, lacquer or paint thinner, dry cleaning fluids or similar products. Chemicals can damage, weaken or destroy plastic which may result in personal injury.

Try not to let any liquid get inside the tool; never immerse any part of the tool into a liquid.

TROUBLESHOOTING

⚠ WARNING

To avoid injury from accidental starting, always turn switch OFF and unplug the tool before moving, replacing the blade or making adjustments.

PROBLEM	PROBLEM CAUSE	SUGGESTED CORRECTIVE ACTION
Motor does not start.	<ol style="list-style-type: none"> 1. Power cord is not plugged into the socket. 2. Switch failure. 3. Brush worn. 4. Fuse blown or circuit breaker tripped on home panel. 	<ol style="list-style-type: none"> 1. Plug in properly. 2. Replace switch. 3. Replace brushes. See MAINTENANCE section. 4. Verify there is electrical power at the outlet.
Saw is overheating.	<ol style="list-style-type: none"> 1. The saw continues to operate too long under pressure. 2. Blockage or dirt jams the ventilation slots of the motor. 	<ol style="list-style-type: none"> 1. Turn the saw off and let it rest until the motor is cool to touch. 2. Check and clean the ventilation slots of the motor, removing blockage or dirt.
Brush spark when switch released.	<ol style="list-style-type: none"> 1. Brush worn. 2. Other. 	<ol style="list-style-type: none"> 1. Replace brushes. See MAINTENANCE section. 2. Contact Service Center.
The pump is not flowing water.	<ol style="list-style-type: none"> 1. Water amount is not enough. 2. Water hose is jammed by dirt. 	<ol style="list-style-type: none"> 1. Add water until the pump is submerged completely. 2. Clean the water hose.
Cutting table is not smooth.	<ol style="list-style-type: none"> 1. Dirt is jammed too much on the guide rails or cutting table rollers. 	<ol style="list-style-type: none"> 1. Clean the dirt. Spread some machine oil on the guide rails.
Saw vibrates or shakes.	<ol style="list-style-type: none"> 1. Saw blade not round / damaged / loose. 2. Blade not tightened on saw, Arbor bolt loose. 	<ol style="list-style-type: none"> 1. Replace blade. 2. Tighten arbor bolt.
The laser guide or LED light fails to turn on.	<ol style="list-style-type: none"> 1. The batteries are dead. 2. The battery contacts need adjustment. 	<ol style="list-style-type: none"> 1. Replace with new AAA batteries. 2. Reload the batteries and make certain that they make solid contact to the battery spring.

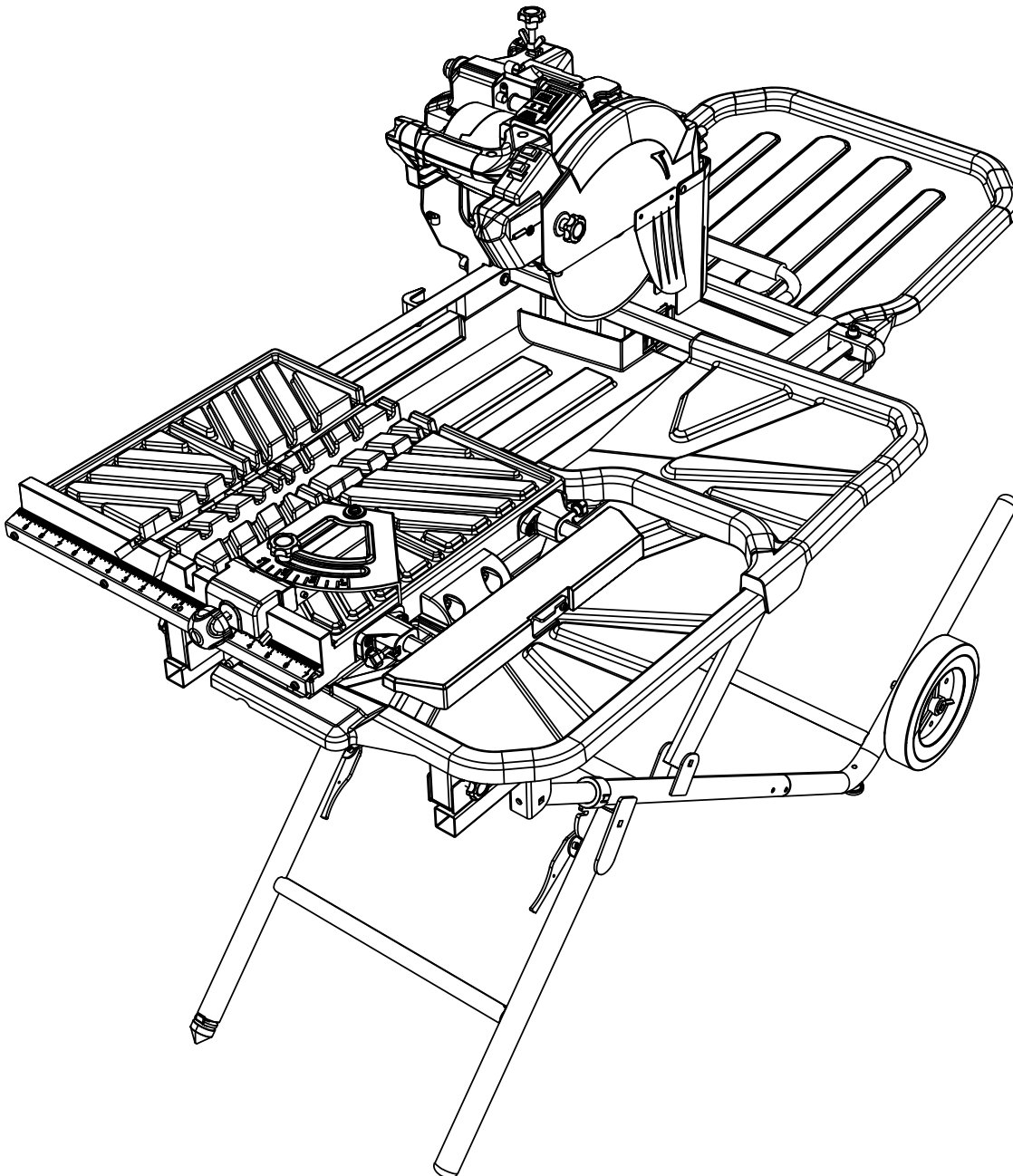
NOTE: If the problem continues, contact Customer Service. Telephone # 1-866-435-8665

PARTS LIST

61900Q



900 XT PRO TILE SAW



PARTS LIST

ORDER ONLY BY MODEL NUMBER AND PART NUMBER

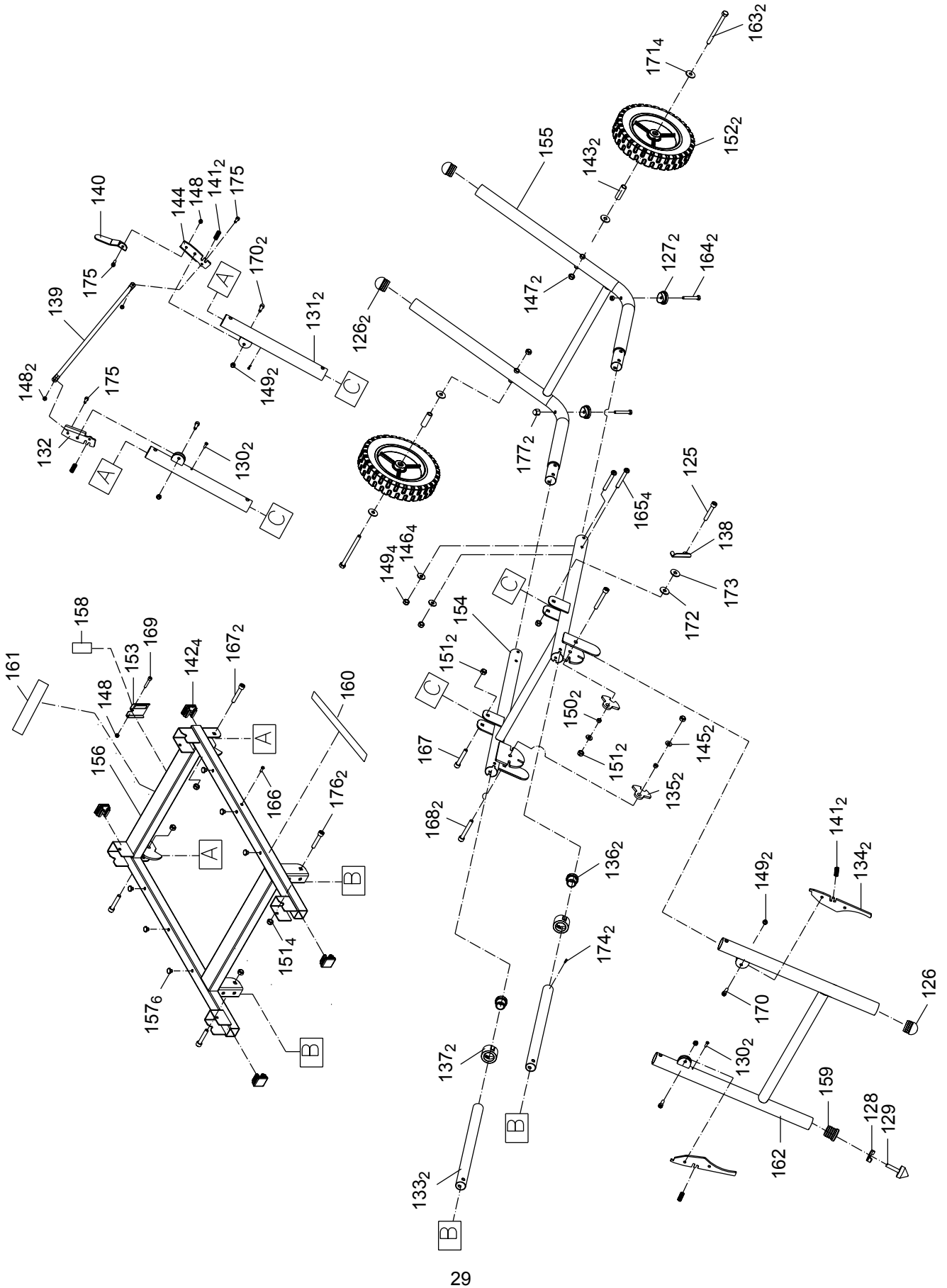
I.D.	Description	Size	Q'ty	I.D.	Description	Size	Q'ty
61900Q -1	CORD CLAMP		2	61900Q -64	HEX. SOC. HD. CAP SCREW	M8*1.25-30	3
61900Q -2	HEX. WRENCH		1	61900Q -65	CR. RE. PAN HD. SCREW	M5*0.8-16	4
61900Q -3	CR. RE. PAN HD. SCREW	M5*0.8-12	6	61900Q -66	CR. RE. PAN HD. SCREW	M5*0.8-10	6
61900Q -4	HEX. NUT	M6*1.0 T=5	2	61900Q -67	CR. RE. PAN HD. SCREW	M6*1.0-16	3
61900Q -5	HEX. NUT	M10*1.5 T=8	1	61900Q -68	CR. RE. PAN HD. SCREW	M4*0.7-8	2
61900Q -6	WING NUT	M8*1.25	1	61900Q -69	HEX. SOC. HD. CAP SCREW	M10*1.5-60	2
61900Q -7	CABLE CLAMP		1	61900Q -70	HEX. SOC. HD. CAP SCREW	M8*1.25-45	1
61900Q -8	CABLE CLAMP		3	61900Q -71	HEX. SOC. HD. CAP SCREW	M5*0.8-35	3
61900Q -9	PLATE(R)		1	61900Q -72	FLAT WASHER	φ10*23-2	1
61900Q -10	POWER CORD CLAMP		2	61900Q -73	FLAT WASHER	φ16*38-3	1
61900Q -11	END CAP		4	61900Q -74	EXTERNAL TOOTH LOCK WASHER	φ4	2
61900Q -12	RUBBER FOOT BUSH		1	61900Q -75	HEX. HD. BOLT	M6*1.0-25	1
61900Q -13	LASER WARNING LABEL		1	61900Q -76	HEX. SOC. HD. CAP BOLT	M6*1.0-25	2
61900Q -14	LASER WARNING LABEL		1	61900Q -77	HEX. SOC. SET SCREW	M4*0.7-6	1
61900Q -15	SWITCH KEY		1	61900Q -78	HEX WASHER HD BOLT	M8*1.25-20	1
61900Q -16	ROCKER SWITCH		1	61900Q -79	CR. RE. PAN HD. TAPPING SCREW	M5*12-20	7
61900Q -17	BUSH		2	61900Q -80	CR. RE. PAN HD. TAPPING SCREW	M6*1.0-16	2
61900Q -18	UPPER TUBE		2	61900Q -81	CR. RE. PAN HD. TAPPING SCREW	M4*18-16	4
61900Q -19	EXTENSION TABLE		1	61900Q -82	HEX. NUT	M8*1.25 T=5	1
61900Q -20	TABLE		1	61900Q -83	HEX. NUT	M6*1.0 T=5	2
61900Q -21	SIDE WATER TRAY		1	61900Q -84	NUT CHUCK	M16*2.0 T=16	1
61900Q -22	HANDLE(UPPER)		1	61900Q -85	WAVE WASHER	WW-6	1
61900Q -23	HANDLE(LOWER)		1	61900Q -86	PLATE		1
61900Q -24	ARM		1	61900Q -87	POWER CABLE ASSEMBLY		1
61900Q -25	ARM		1	61900Q -88	FLAT WASHER	φ5*12-2	2
61900Q -26	CENTER SHAFT		1	61900Q -89	LOCATION SEAT		2
61900Q -27	PLATE		1	61900Q -90	KNOB		2
61900Q -28	REAR WATER TRAY		1	61900Q -91	ARBOR COLLAR		1
61900Q -29	WATER TANK		1	61900Q -92	ARBOR COLLAR		1
61900Q -30	BLADE GUARD (L)		1	61900Q -93	WATER TRAY		1
61900Q -31	PUMP		1	61900Q -94	ROTATION SLIDE PLATE		1
61900Q -32	INLET FILTER		1	61900Q -95	PIVOT BAR		1
61900Q -33	RUBBER BUSH		1	61900Q -96	HEX. SOC. HD. CAP SCREW	M10*1.5-30	1
61900Q -34	BASE FRAME		1	61900Q -97	WRENCH		1
61900Q -35	SLIDE BAR		1	61900Q -98	KNOB		1
61900Q -36	SLEEVE		1	61900Q -99	SPRAY CONNECTOR		1
61900Q -37	WATER PROOF		1	61900Q -100	WIDTH BODY		1
61900Q -38	SPECIAL BOLT		1	61900Q -101	MITER GAUGE		1
61900Q -39	WRENCH SET		2	61900Q -102	SLIDER		1
61900Q -40	KNOB		1	61900Q -103	FOLLOWER PLATE		1
61900Q -41	KNOB		1	61900Q -104	PIVOT-SUPPORT		1
61900Q -42	KNOB		4	61900Q -105	SPRING SLEEVE		1
61900Q -43	CLAMP HANDLE		1	61900Q -106	TORSION SPRING		1
61900Q -44	CLAMP HANDLE		1	61900Q -107	PLATE		1
61900Q -45	CLAMP HANDLE		1	61900Q -108	BLADE GUARD		1
61900Q -46	BLOCK		1	61900Q -109	SCALE		1
61900Q -47	POINTER		2	61900Q -110	HOSE		1
61900Q -48	WRENCH		1	61900Q -111	BUSH		4
61900Q -49	CONTROLLER		1	61900Q -112	LASER ASSEMBLY		1
61900Q -50	POWER CABLE ASSEMBLY		1	61900Q -113	RIP/ANGLE GUIDE (ASSEMBLED)		1
61900Q -51	FOAM		1	61900Q -114	HEX. SOC. HD. CAP BOLT	M8*1.25-35	1
61900Q -52	SAFE COVER		1	61900Q -115	HEX. SOC. SET SCREW	M6*1.0-12	3
61900Q -53	CR. RE. PAN HD. TAPPING SCREW	M6*14-25	1	61900Q -116	CR. RE. PAN HD. SCREW & WASHER	M5*0.8-12	2
61900Q -54	CR. RE. ROUND WASHER HD. SCREW	M6*1.0-12	1	61900Q -117	FLAT WASHER	φ8*26-1.5	2
61900Q -55	FLAT WASHER	φ6*18-1.5	2	61900Q -118	CR. RE. COUNT HD. SCREW	M5*0.8-25	2
61900Q -56	NUT CHUCK	M5*0.8 T=5	1	61900Q -119	MOTOR ASSEMBLY		1
61900Q -57	CR. RE. PAN HD. SCREW	M5*0.8-6	5	61900Q -120	SLIDE BASE ASSEMBLY		1
61900Q -58	CR. RE. PAN HD. SCREW	M5*0.8-12	7	61900Q -121	HEX. SOC. HD. CAP BOLT	M8*1.25-25	1
61900Q -59	CR. RE. PAN HD. SCREW	M5*0.8-20	3	61900Q -122	BLADE		1
61900Q -60	MOVEMENT HANDLE		1	61900Q -123	POINTER		1
61900Q -61	CR. RE. COUNT HD. SCREW	M5*0.8-10	2	61900Q -124	ROLLING WHEEL ASSEMBLY		3
61900Q -62	HEX. SOC. HD. CAP BOLT	M6*1.0-20	1	61900Q -178	INSTRUCTION MANUAL		1
61900Q -63	COLLAR		1				

PARTS LIST FOR STAND

ORDER ONLY BY MODEL NUMBER AND PART NUMBER

I.D.	Description	Size	Q'ty	I.D.	Description	Size	Q'ty
61900Q -125	HEX. SOC. TRUSS HD. SCREW	M8*1.25-55	1	61900Q -152	CASTER		2
61900Q -126	END CAP		3	61900Q -153	PLATE		1
61900Q -127	FOOT PAD		2	61900Q -154	SUPPORTING TUBE ASSEMBLY		1
61900Q -128	WING NUT	M8*1.25-2B	1	61900Q -155	SUPPORTING TUBE ASSEMBLY		1
61900Q -129	LEVELING PAD		1	61900Q -156	SUPPORTING TUBE ASSEMBLY		1
61900Q -130	CR. RE. PAN HD. TAPPING SCREW	M3.5*20-8	4	61900Q -157	PLUG-BUTTON		6
61900Q -131	CONNECTOR TUBE ASSEMBLY		2	61900Q -158	WARNING LABEL		1
61900Q -132	ANCHOR PLATE		1	61900Q -159	END-CAP		1
61900Q -133	MITER BAR		2	61900Q -160	CAUTION LABEL		1
61900Q -134	PLUNGER HANDLE		2	61900Q -161	CAUTION LABEL		1
61900Q -135	STOPPER		2	61900Q -162	SUPPORTING TUBE ASSEMBLY		1
61900Q -136	BUSH		2	61900Q -163	HEX. HD. BOLT	M10*1.5-100	2
61900Q -137	SLEEVE		2	61900Q -164	HEX. HD. BOLT	M6*1.0-45	2
61900Q -138	HINGA		1	61900Q -165	CR. RE. TRUSS HD. SCREW	M6*1.0-40	4
61900Q -139	ADJUSTMENT TUBE		1	61900Q -166	CR. RE. TRUSS HD. ROUND NECK SCREW	M6*1.0-10	1
61900Q -140	HANDLE		1	61900Q -167	CAP HD. SQ. NECK BOLT	M8*1.25-50	3
61900Q -141	COMPRESSION SPRING		4	61900Q -168	CAP HD. SQ. NECK BOLT	M8*1.25-60	2
61900Q -142	END CAP		4	61900Q -169	HEX. SOC. HD. CAP BOLT	M5*0.8-45	1
61900Q -143	SLEEVE		2	61900Q -170	HEX. SOC. HD. CAP BOLT	M6*1.0-20	3
61900Q -144	ANCHOR PLATE		1	61900Q -171	FLAT WASHER	φ10*20-3	4
61900Q -145	FLAT WASHER	φ8*16-2.5	2	61900Q -172	FLAT WASHER	φ8.1*16-3.5	1
61900Q -146	FLAT WASHER	φ6*13-1	4	61900Q -173	WAVE WASHER	WW-8	1
61900Q -147	HEX. NUT	M10*1.5 T=8	2	61900Q -174	SPRING PIN		2
61900Q -148	NUT CHUCK	M5*0.8 T=5	4	61900Q -175	HEX. SOC. HD. CAP BOLT	M5*0.8-16	3
61900Q -149	NUT CHUCK	M6*1.0 T=6	8	61900Q -176	CAP HD. SQ. NECK BOLT	M8*1.25-45	2
61900Q -150	BUSH		2	61900Q -177	CROWN NUT	M6*1.0 T=13	2
61900Q -151	CHUCK NUT	M8*1.25 T=8	8				

SCHEMATIC - STAND



NOTES

NOTES

Made in Taiwan
Fabriqué en Taiwan
Hecho en Taiwan
Boca Raton, FL 33487
www.qep.com
00613-8326