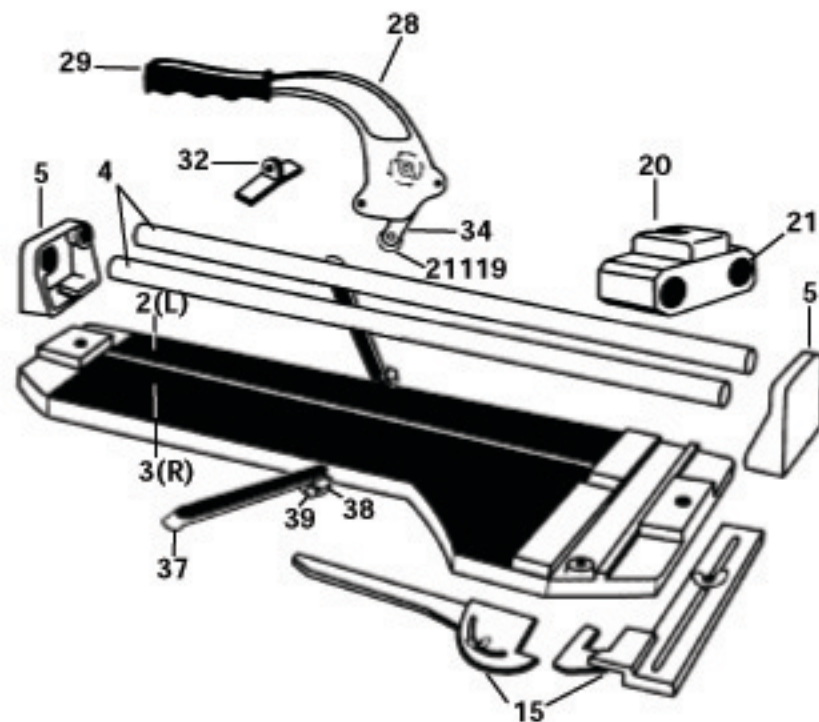




## No. 10600 24" Big Clinker Tile Cutter

| ORDER NO. | DESCRIPTION  |
|-----------|--|
| 10600*    | Box  |
| 10600-2/3 | Replacement Pads (2)   |
| 10600-4   | Rail Bars (2)  |
| 10600-5   | End Bracket  |
| 10600-15  | Guide (Complete)   |
| 10600-20  | Slide Assembly   |
| 10600-21  | Bearing Assembly Only  |
| 10600-28  | Handle with Grip   |
| 10600-29  | Grip   |
| 10600-32  | Breaker Bar  |
| 10600-34  | Holder for Ball Bearing Wheel  |
| 10600-35  | Adjustable Wheel Holder  |
| 10600-36  | Handle Complete with Holder for Ball Bearing Wheel, Breaker Bar, & Slide Assembly with Bearings (20, 21, 28, 32, 34) |
| 10600-37  | 12" Aluminum Arm (2)   |
| 10600-38  | Aluminium Connector & Hardware   |
| 10600-39  | White Round Head Screw   |
| 21119     | 7/8" Tungsten Carbide Ball Bearing Cutting Wheel   |





# ORDER FORM

| ORDER NO. | DESCRIPTION | QUANTITY | PRICE | TOTAL |
|-----------|-------------|----------|-------|-------|
|           |             |          |       |       |
|           |             |          |       |       |
|           |             |          |       |       |
|           |             |          |       |       |
|           |             |          |       |       |
|           |             |          |       |       |

|                     |        |
|---------------------|--------|
| <b>Subtotal</b>     |        |
| Shipping & Handling | * 7.95 |
| <b>Total Amount</b> |        |

To Order:

Fax to 561-241-2830

or

Mail to Q.E.P. Co., Inc.  
1001 Broken Sound, NW Suite A  
Boca Raton, FL 33487

\* Shipping & Handling may vary depending on weight and dimensions of product.

Name: \_\_\_\_\_

Address: \_\_\_\_\_

City: \_\_\_\_\_ State: \_\_\_\_\_ Zip: \_\_\_\_\_

Phone #: \_\_\_\_\_ Daytime Phone #: \_\_\_\_\_

Payment:  CHECK  VISA  MASTER CARD

Credit Card #:

Expires:   /   /

Billing Credit Card Zip Code:      -

Signature: \_\_\_\_\_ Date: \_\_\_\_\_