



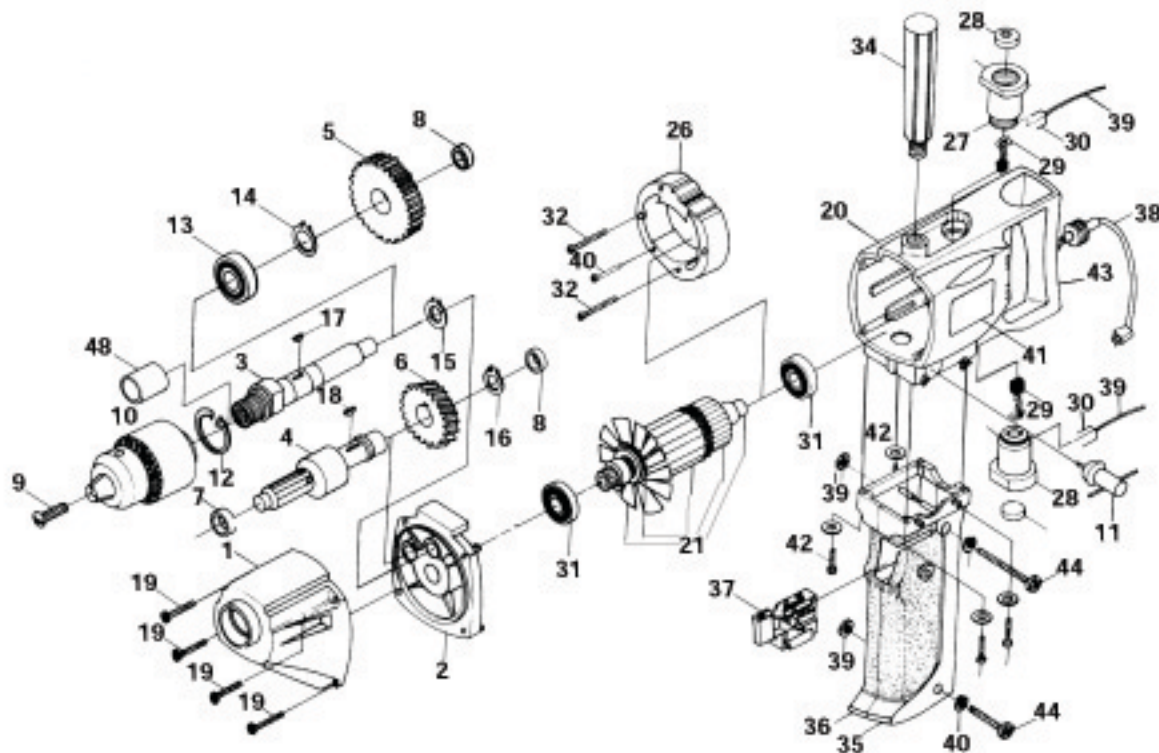
# No. 21630 1/2" D-Handle Drill

## ORDER NO. DESCRIPTION

21630-1	Gear Housing
21630-2	Middle Cover
21630-3	Shaft
21630-4	Pinion Shaft
21630-5	Spur Gear
21630-6	Gear
21630-7	Bushing
21630-8	Bushing (2)
21630-9	Screw
21630-10	Chuck
21630-11	Chuck Key
21630-12	C-Ring
21630-13	Bearing
21630-14	C-Ring
21630-15	C-Ring
21630-16	C-Ring
21630-17	Shaft Key
21630-18	Gear Shaft Key
21630-19	Screw (4)
21630-20	Field Housing (not shown)
21630-21	Armature Assembly
21630-26	Carbon Holder (2)
21630-27	Brush Housing (2)
21630-28	Brush Cap (2)
21630-29	Carbon Brush (2)
21630-30	Fixing Wire (2)
21630-31	Bearing (2)
21630-32	Screw (2)
21630-34	D-Handle
21630-35	Handle Cover (R)
21630-36	Handle Cover (L)
21630-37	Switch
21630-38	Cord
21630-39	2-Nuts

## ORDER NO. DESCRIPTION

21630-40	Wave Spring Washer (2)
21630-41	Name Plate
21630-42	Screw (4)
21630-43	Main Body Housing
21630-44	Screws (2)
21630-45	Plastic Carry Case (not shown)





# ORDER FORM

ORDER NO.	DESCRIPTION	QUANTITY	PRICE	TOTAL

<b>Subtotal</b>	
Shipping & Handling	* 7.95
<b>Total Amount</b>	

To Order:

Fax to 561-241-2830

or

Mail to Q.E.P. Co., Inc.  
1001 Broken Sound, NW Suite A  
Boca Raton, FL 33487

\* Shipping & Handling may vary depending on weight and dimensions of product.

Name: \_\_\_\_\_

Address: \_\_\_\_\_

City: \_\_\_\_\_ State: \_\_\_\_\_ Zip: \_\_\_\_\_

Phone #: \_\_\_\_\_ Daytime Phone #: \_\_\_\_\_

Payment:  CHECK  VISA  MASTER CARD

Credit Card #:

Expires:   /   /

Billing Credit Card Zip Code:      -

Signature: \_\_\_\_\_ Date: \_\_\_\_\_