



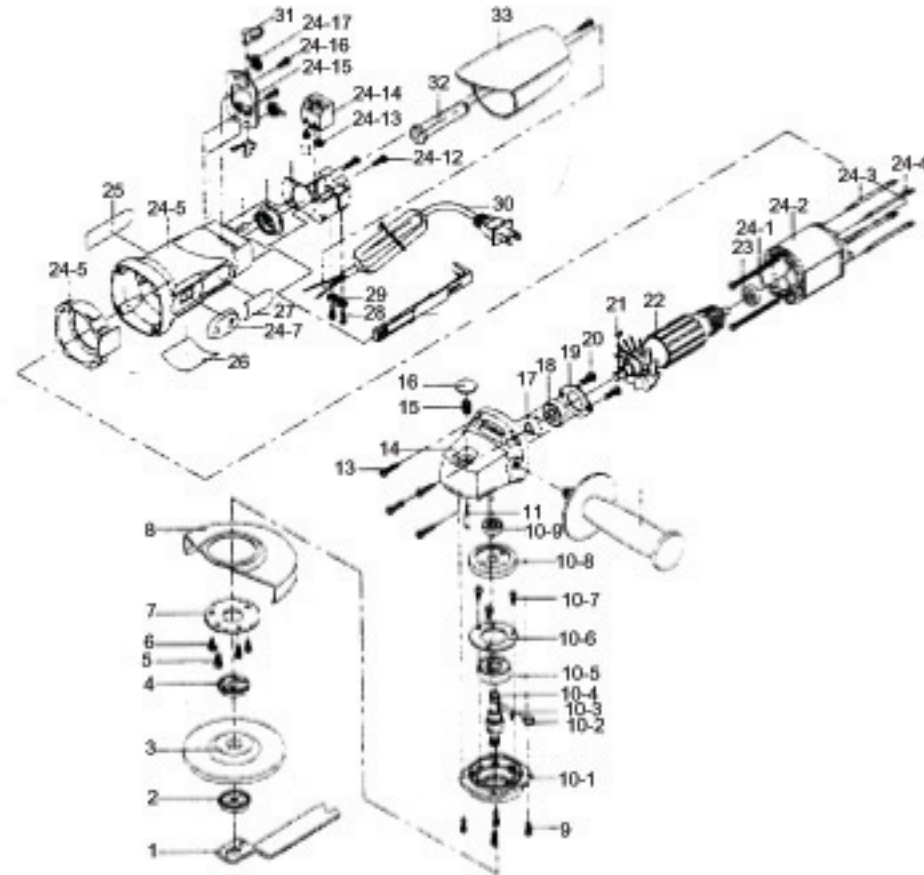
# No. 21687 Angle Grinder

2001 Discontinued Item

ORDER NO.	DESCRIPTION
21687-01	Lock Nut Wrench
21687-02	Wheel Lock Nut UNC
21687-03	Abrasive Disc
21687-04	Inner Flange
21687-05	Screw
21687-06	Screw
21687-07	Wheel Cover Holder
21687-08	Wheel Guard
21687-09	Screw
21687-10	Gear Box Assembly
21687-10-1	Bearing Box
21687-10-2	C Ring
21687-10-3	Woodruff Key
21687-10-4	Spindle
21687-10-5	Ball-Bearing
21687-10-6	Bearing Retainer
21687-10-7	Screw
21687-10-8	Spinal Bevel Gear
21687-10-9	Ball-Bearing
21687-11	Shaft Lock Pin
21687-12	Grip
21687-13	Screw
21687-14	Gear Box
21687-15	Spring
21687-16	Lock Button
21687-17	Spinal Bevel Gear
21687-18	Ball-Bearing
21687-19	Bearing Retainer
21687-20	Screw
21687-21	Woodruff Key
21687-22	Armature Assembly 120V
21687-23	Ball-Bearing
21687-24	Motor Housing Assembly
21687-24-1	Screw
21687-24-2	Field Assembly
21687-24-3	Wire
21687-24-4	Wire
21687-24-5	Paddle Plate
21687-24-6	Motor Housing
21687-24-7	Drawbar Button
21687-24-8	Drawbar
21687-24-9	Rubber Pin
21687-24-10	Bearing Holder
21687-24-11	Switch Holder
21687-24-12	Screw
21687-24-13	Screw

ORDER NO.	DESCRIPTION
21687-24-14	Switch
21687-24-15	Brush Holder
21687-24-16	Screw
21687-24-17	Tention Spring
21687-25	Brand Name Label (R)
21687-26	Spec. Label
21687-27	Brand Name Label (L)

ORDER NO.	DESCRIPTION
21687-28	Screw
21687-29	Strain Relief
21687-30	Power Cord 120V
21687-31	Brush 120V
21687-32	Cord Cover
21687-33	Rear Cover
21687-34	Screw





# ORDER FORM

ORDER NO.	DESCRIPTION	QUANTITY	PRICE	TOTAL

<b>Subtotal</b>	
Shipping & Handling	* 7.95
<b>Total Amount</b>	

To Order:

Fax to 561-241-2830

or

Mail to Q.E.P. Co., Inc.  
1001 Broken Sound, NW Suite A  
Boca Raton, FL 33487

\* Shipping & Handling may vary depending on weight and dimensions of product.

Name: \_\_\_\_\_

Address: \_\_\_\_\_

City: \_\_\_\_\_ State: \_\_\_\_\_ Zip: \_\_\_\_\_

Phone #: \_\_\_\_\_ Daytime Phone #: \_\_\_\_\_

Payment:  CHECK  VISA  MASTER CARD

Credit Card #:

Expires:   /   /

Billing Credit Card Zip Code:      -

Signature: \_\_\_\_\_ Date: \_\_\_\_\_