



REPLACEMENT PARTS PRICE LIST

Effective: May 1, 2012

CONFIDENTIAL

Supersedes any previously published Parts List

QEP Co., Inc.
1001 Broken Sound Parkway NW, Suite A
Boca Raton, FL 33487
www.qep.com

To order call (866) 435-8665 or fax (561) 241-2830



Table of Contents

Power Tools	Pages	1
Mixers & Paddles	Pages	2-15
Tile Saws	Pages	16-40
Tile Cutters	Pages	41-50



Tool Repair Policy

In order to enable you to provide tool repair service to your customer, QEP has developed the following policy. It applies to three repair service conditions:

1. "In Warranty" repairs
2. "Out of Warranty" repairs
3. Non-repairable or worn-out tools

1. Tools In Warranty:

- a. QEP WILL REPAIR OR REPLACE, AT OUR OPTION, ANY TOOL MANUFACTURED BY QEP WHICH IS WITHIN THE WARRANTY PERIOD, PROVIDED IT IS RETURNED WITH A PROOF OF PURCHASE TO QEP, PREPAID. Exceptions to this policy include cases of obvious customer abuse or where proof of purchase is missing. In such cases, the tool will be repaired (if repairable) at the normal charge and returned to you.
- b. Hand tools such as hammers, tape measures, and disposable items such as knife and saw blades, are not covered by the warranty.

NOTE: The whole tool must be returned when requesting an "In Warranty" repair. ***Any alteration or disassembly of a QEP tool voids all warranties.***

Distributors are not authorized to furnish replacement or refund without express authorization by QEP

2. Tools Out Of Warranty:

- a. QEP will repair "Out Of Warranty" tools according to the following schedule:
 - (1) Any tool requiring repairs in excess of 50% of the current list price will be deemed non-repairable (see Abused or Worn Out Tools).
 - (2) Heat Bond Irons will normally be replaced with a refurbished unit (at QEP's option).

3. Abused or Worn Out Tools:

- a. Tools that show obvious abuse or damage through neglect (example: rusty tools) will not be accepted for "In Warranty" repairs, but deemed out of warranty and repaired at the normal charge plus postage (if required).
- b. If a tool is non-repairable, the distributor will be notified by a Request for Disposition. If the tool is to be returned, it will be done at the usual shipping and handling fee. If no disposition is given within 30 days, QEP has the option to dispose of the tool.

**PLEASE CONTACT QEP CUSTOMER SERVICE DEPARTMENT
PRIOR TO RETURNING ANY TOOLS TO QEP AT 1-866-435-8665**



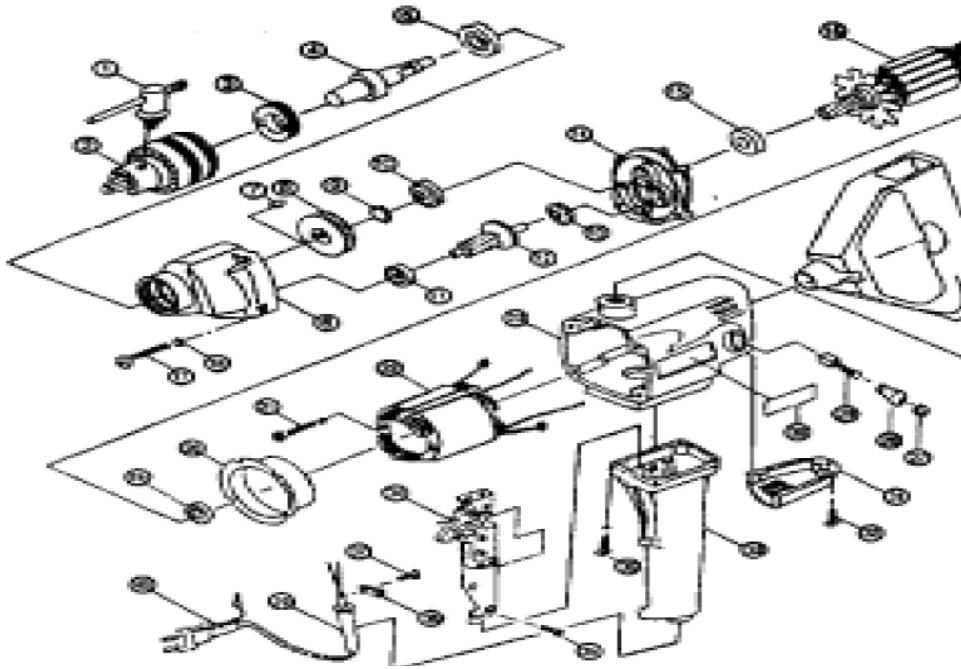
Q.E.P.

Catalog #

Product Description

Heavy Duty Mixing Drill 21650

21650-1	Box Wrench
21650-2	Chuck
21650-3	Bearing Cover
21650-4	Spindle
21650-5	Bearing (80203)
21650-6	Gear Cover
21650-7	Woody Key
21650-8	Gear
21650-9	Spring Washer
21650-10	Bearing A (80018)
21650-11	Bearing (80026)
21650-12	Inner Gear
21650-13	Bearing(80018)
21650-14	Inner Cover
21650-15	Bearing (80200)
21650-16	Armature
21650-17	Screw (M5x40)
21650-18	Spring Washer 5 (Set Of 10)
21650-19	Bearing (80028)
21650-20	Fan Guide
21650-21	2 screw (M5x45)
21650-22	Stator
21650-23	Housing
21650-24	Rear Handle
21650-25	Handle Screw(M10x30)
21650-26	Side Handle
21650-27	Brush Cap (Set Of 2)
21650-28	Brush Holder (Set Of 2)
21650-29	Carbon Brush (Set of 2)
21650-30	Nameplate
21650-31	Tail Housing
21650-32	Screw(M5x14)
21650-33	Handle
21650-34	Switch
21650-35	Screw (M4x6)
21650-36	4 Screw (M5x20)
21650-37	2 Screw (M4x12)
21650-38	Cord Clip
21650-39	Cord Armor
21650-40	Cord





Q.E.P.

Catalog #

Product Description

Power Mixer 21660

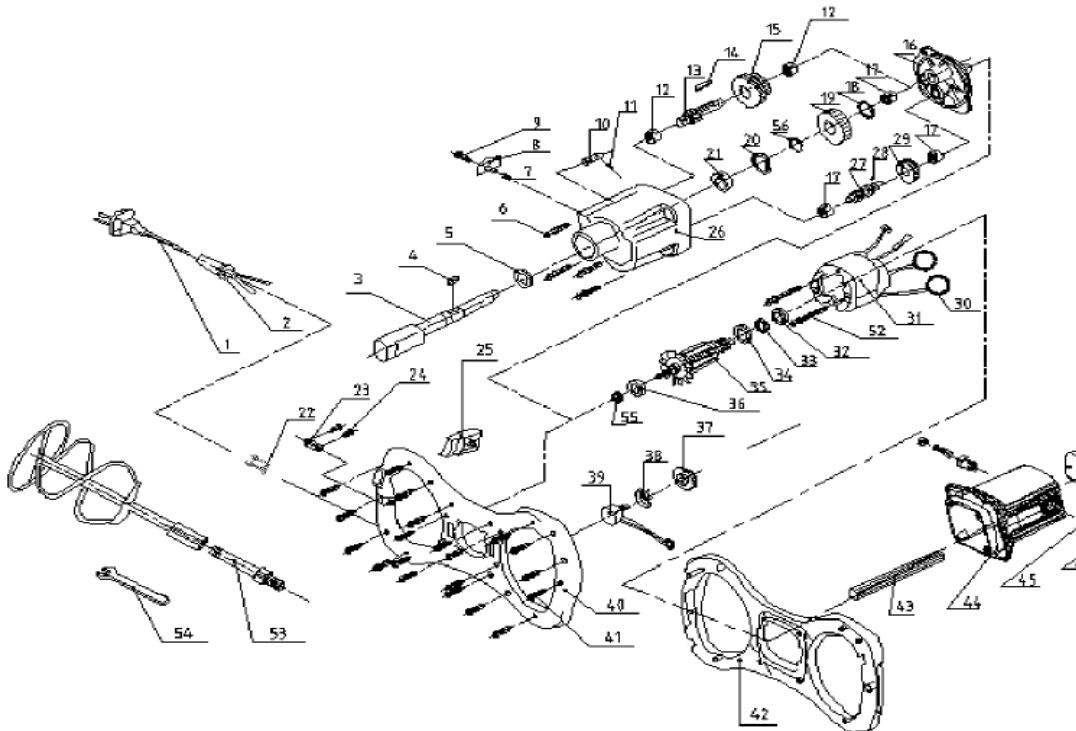
21660-1	Cable
21660-2	Cable sleeve
21660-3	Output Shaft
21660-4	Key 5x13
21660-5	Oil Seal
21660-6	Crossing Tapping Screw ST5X60-F (Pack Of 4)
21660-7	Push Button Spring
21660-8	Button Spring
21660-9	Push Button Screw
21660-10	Shift Lever
21660-11	Pin
21660-12	Needle Bearing
21660-13	Variable Cover
21660-14	Key 5x45
21660-15	Two Gang Gear
21660-16	Middle Cover
21660-17	Needle Bearing HK0810
21660-18	Elastic Collar 15
21660-19	Big Gear
21660-20	Elastic Collar 35
21660-21	Bearing 6003-2Z
21660-22	Inductor Subassembly
21660-23	Cable Plate
21660-24	Crossing Tapping Screw ST4X14
21660-25	Switch (FA2-6/2D-A1-B1-F3)
21660-26	Head Housing
21660-27	Main Driving Shaft
21660-28	Key 4x8
21660-29	Diagonal Gear
21660-30	Tension Spring
21660-31	Stator Sub
21660-32	Bearing 608ZZ
21660-33	Dust Washer
21660-34	Magnetic Ring
21660-35	Motor Sub
21660-36	Bearing 609ZZ
21660-37	Variable Speed Dial Knob
21660-38	Variable Speed Dial Sleeve
21660-39	Variable Speed Dial
21660-40	Top Handle
21660-41	Crossing Tapping Screw ST4x20
21660-42	Back Handle
21660-43	Lead Sleeve



Replacement Parts Price List

Mixers Paddles

- 21660-44 Housing
- 21660-45 Brush Holder
- 21660-46 Carbon Brush
- 21660-47 Brush Cover
- 21660-48 Integrating Plate
- 21660-49 Crossing Tapping Screw ST3X25-F
- 21660-50 Back Housing Cover
- 21660-51 Crossing Tapping screw st5x45-f
- 21660-52 Crossing Tapping Screw (Pack Of 2)
- 21660-53 Mixer Paddle
- 21660-54 Spanner Wrench
- 21660-55 Seal Pad
- 21660-56 Elastic Collar 17





Q.E.P.

Catalog #

Product Description

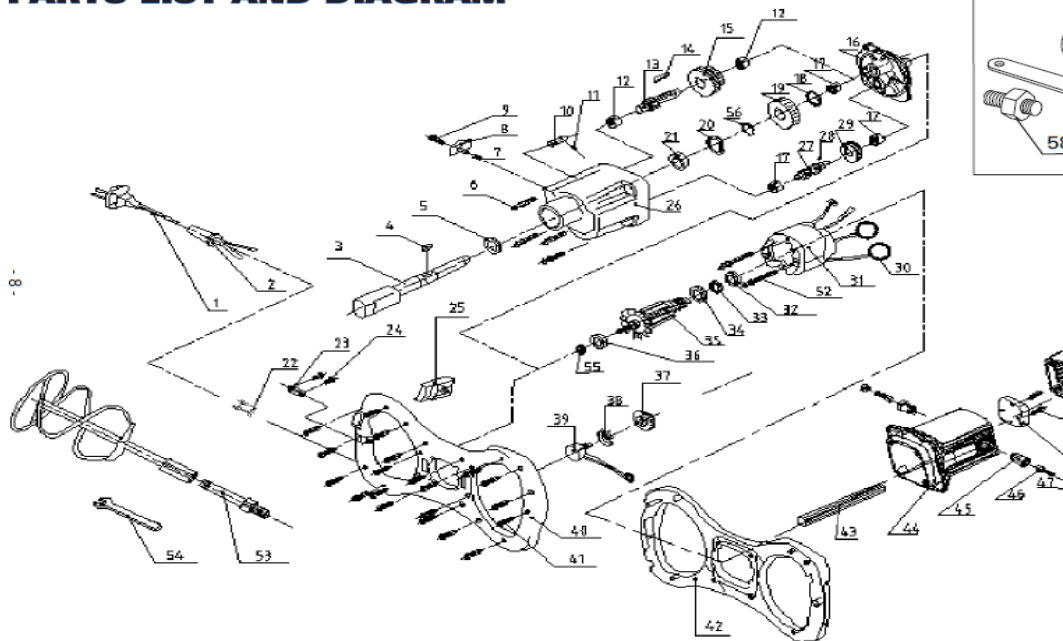
Power Mixer 21660

21660-1	Cable
21660-2	Cable Sleeve
21660-3	Output shaft
21660-4	Key 5x13
21660-5	Oil seal
21660-6	Crossing Tapping Screw ST5x60-f (Pack Of 4)
21660-7	Push Button Spring
21660-8	Button Spring
21660-9	Push Button Fixing Screw
21660-10	Shift Lever
21660-11	Pin
21660-12	Needle Bearing
21660-13	Variable Cover
21660-14	Key 5x45
21660-15	Two Gang Gear
21660-16	Middle Cover
21660-17	Needle Bearing HK0810
21660-18	Elastic Collar 15
21660-19	Big Gear
21660-20	Elastic Collar 35
21660-21	Bearing 6003-2Z
21660-22	Inductor Subassembly
21660-23	Cable Plate
21660-24	Crossing Tapping Screw ST4x14
21660-25	Switch (FA2-6/2D-A1-B1-F3)
21660-26	Head Housing
21660-27	Main Driving Shaft
21660-28	Key 4x8
21660-29	Diagonal Gear
21660-30	Tension Spring
21660-31	Stator Subassembly
21660-32	Bearing 608ZZ
21660-33	Dust Washer
21660-34	Magnetic Ring
21660-35	Motor Subassembly
21660-36	Bearing 609ZZ
21660-37	Potentiometer Knob
21660-38	Potentiometer Sleeve
21660-39	Potentiometer
21660-40	Foregoing Handle
21660-41	Crossing Tapping Screw ST4x20
21660-42	Back Handle
21660-43	Lead Sleeve



- 21660-44 Housing
- 21660-45 Brush Holder
- 21660-46 Carbon Brush
- 21660-47 Brush Cover
- 21660-48 Integrating Plate
- 21660-49 Crossing Tapping screw ST3x25-F
- 21660-50 Back Housing Cover
- 21660-51 Crossing Tapping Screw ST5x45-F
- 21660-52 Crossing Tapping Screw (Pack Of 2)
- 21660-53 Mixer paddle
- 21660-54 Spanner
- 21660-55 Seal Pad
- 21660-56 Elastic Collar 17
- 21665-57 Chuck
- 21665-58 Chuck Screw
- 21665-59 Chuck Wrench
- 21665-60 Chuck Key

PARTS LIST AND DIAGRAM





Q.E.P.

Catalog #

Product Description

4in. Professional Handheld Tile Saw 21643

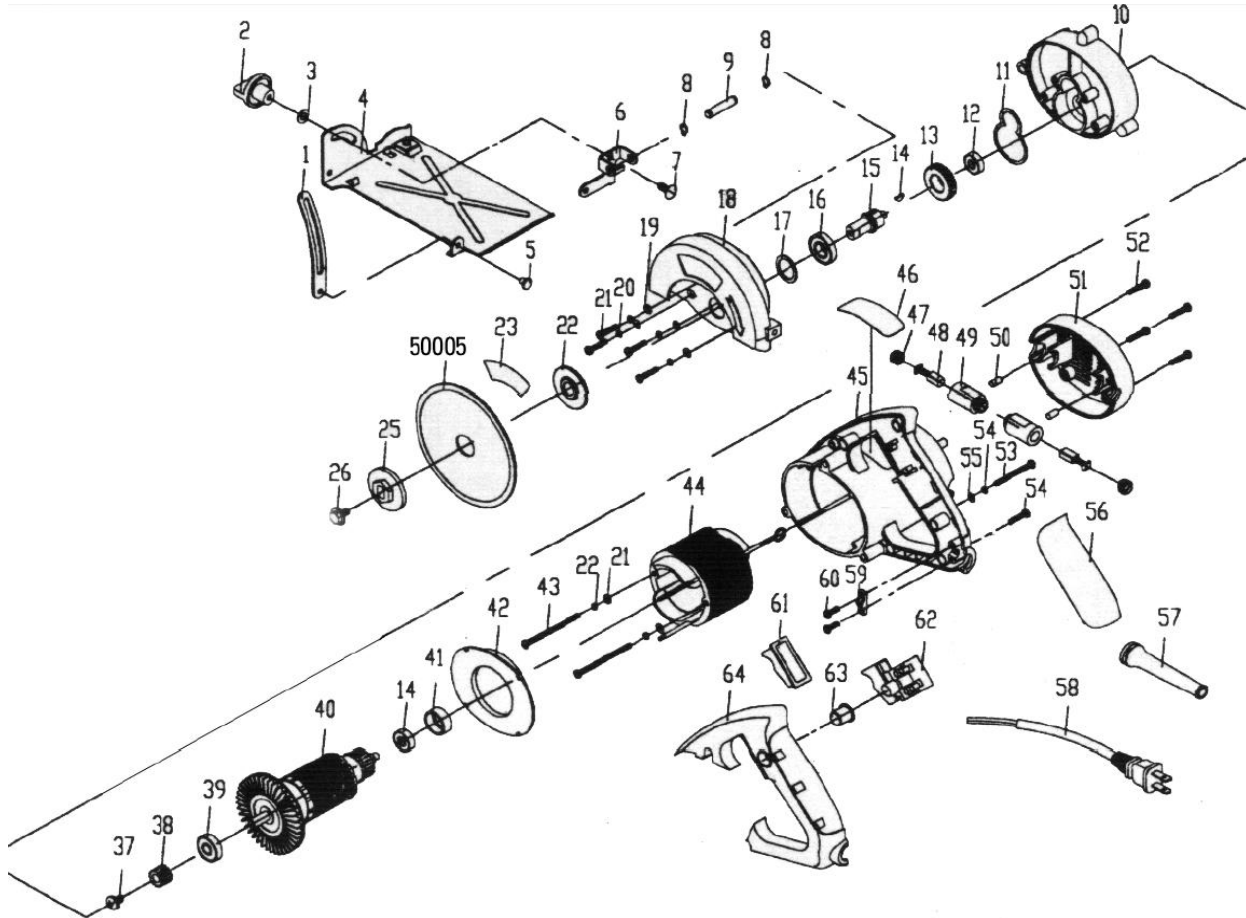
21643-01	Stand
21643-02	Knob
21643-03	Washer (Set Of4)
21643-04	Guiding Board
21643-05	Rivet
21643-06	Pole
21643-07	Screw (Set Of 2)
21643-08	Washer (Set Of 4)
21643-09	Pin
21643-10	Gear Box
21643-11	Sealing Loop
21643-12	Bearing
21643-13	Big Gear
21643-14	Key
21643-15	Shaft
21643-16	Inner Bearing
21643-17	Sealing Washer
21643-18	Cover
21643-19	Washer (Set Of 4)
21643-20	Spring Washer (Set Of 4)
21643-21	Screw (Set Of 4)
21643-22	Flance
21643-23	Trade Mark
21643-25	Outer Flange
21643-26	Bolt
21643-37	Screw
21643-38	Small Gear
21643-39	Outer Bearing
21643-40	Armature Assembly
21643-41	Damping Washer
21643-42	Nozzle
21643-43	Screw (Set Of 2)
21643-44	Starter
21643-45	House
21643-46	Label
21643-47	Screw Bolt (Set of 2)
21643-48	Carbon Brush (Set Of 2)
21643-49	Carbon Box (Set Of 2)
21643-50	Damping Pole (Set Of 2)
21643-51	Back Cover
21643-52	Screw (Set Of 4)
21643-53	Screw (Set Of 4)
21643-54	Spring Water (Set Of 2)



Replacement Parts Price List

Tile Saws

- 21643-55 Washer (Set Of 6)
- 21643-56 Decorative Skin
- 21643-57 Cord Jacket
- 21643-58 Power Cord
- 21643-59 Cord Clamp
- 21643-60 Stand
- 21643-61 Switch Cover
- 21643-62 Switch
- 21643-63 Knob Cover
- 21643-64 Handle





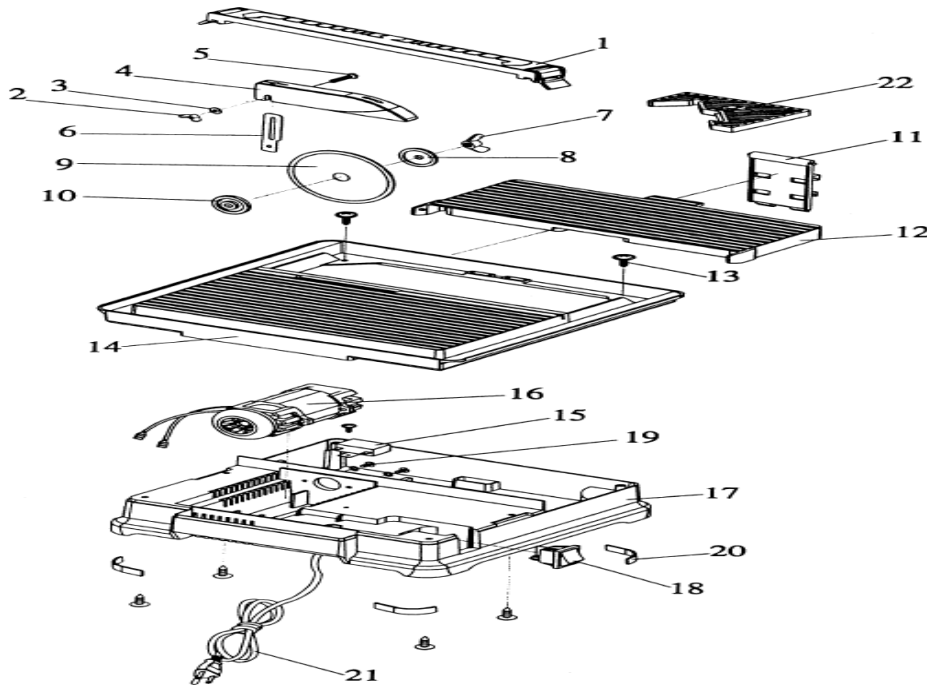
Q.E.P.

Catalog #

Product Description

4in. Portable Tile Saw 60084A

60084A-1	Rip Guide
60084A-2	Wing Nut
60084A-3	Washer
60084A-4	Blade Guard
60084A-5	Screw For Wing
60084A-6	Guard Support
60084A-7	Wing Nut
60084A-8	Outer Washer
6-4003CR	Blade
60084A-10	Inner Washer
60084A-11	Miter Support
60084A-12	Right Cutting Table
60084A-13	Screw For Cutting Table
60084A-14	Left Cutting Table
60084A-15	Capacitor
60084A-16	Motor
60084A-17	Frame
60084A-18	Switch
60084A-19	Screw For Motor (Set Of 2)
60084A-20	Rubber Stand (Set Of 4)
60084A-21	Electrical Cord
60084A-22	450 Angle Miter Bar





Q.E.P.

Catalog #

Product Description

7in. Portable Tile Saw 60088

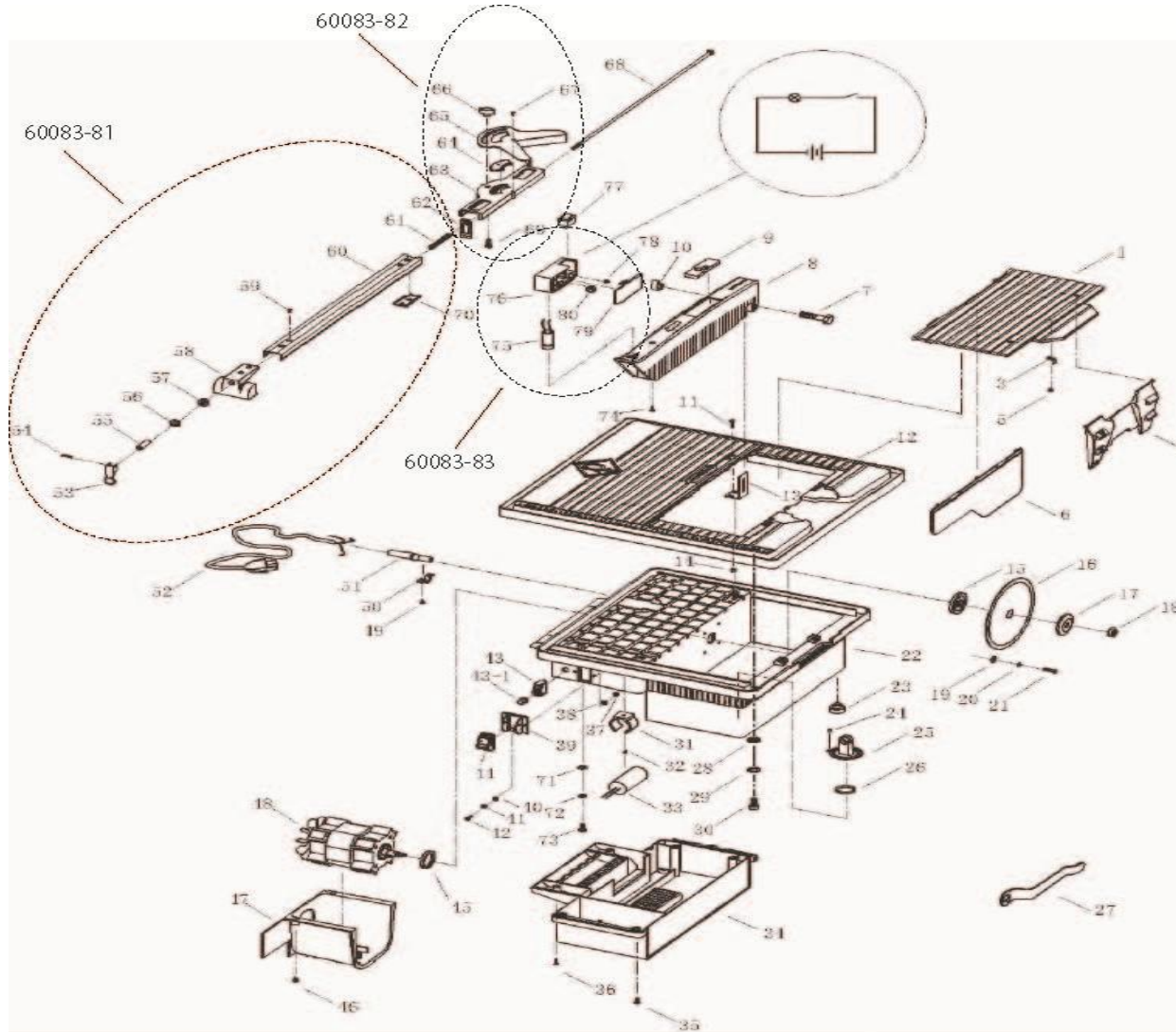
60083-1	Extension Cutting Table
60083-2	Angle Cutting Guide
60083-3	Fixed Spring
60083-5	Screw
60083-6	Water Proof Plank
60083-7	Washer
60083-8	Blade Guard
60083-9	Blade Guard Label
60083-10	Knob
60083-11	Screw
60083-12	Cutting Table
60083-13	Blade Guard Support
60083-14	Nut
60083-15	Inner Flange
6-7003CR	7" Blade
60083-17	Outer Flange
60083-18	Nut
60083-19	Rubber Washer
60083-20	Washer
60083-21	Screw
60083-22	Frame
60083-23	Rubber Base (Set Of 4)
60083-24	Plug Cover
60083-25	Plug
60083-26	O-Ring
60083-27	Wrench
60083-30	Screw
60083-31	Capacitor Fixer
60083-32	Screw
60083-33	Capacitor
60083-34	Shell
60083-37	Nut
60083-38	Washer
60083-39	Switch Cover
60083-40	Washer
60083-41	Washer
60083-42	Screw
60083-43	Overload Breaker
60083-44	Switch
60083-45	Washer For Motor
60083-46	Screw
60083-47	Cover For Motor
60083-48	Motor



Replacement Parts Price List

Tile Saws

60083-49	Screw
60083-50	Clamp
60083-51	Gasket
60083-52	Power Cord
60083-71	Washer
60083-72	Spring Washer
60083-73	Screw
60083-81	Assembled Rip Guide
60083-82	Assembled Angle/Miter Guide
60083-83	Assembled Laser Guide





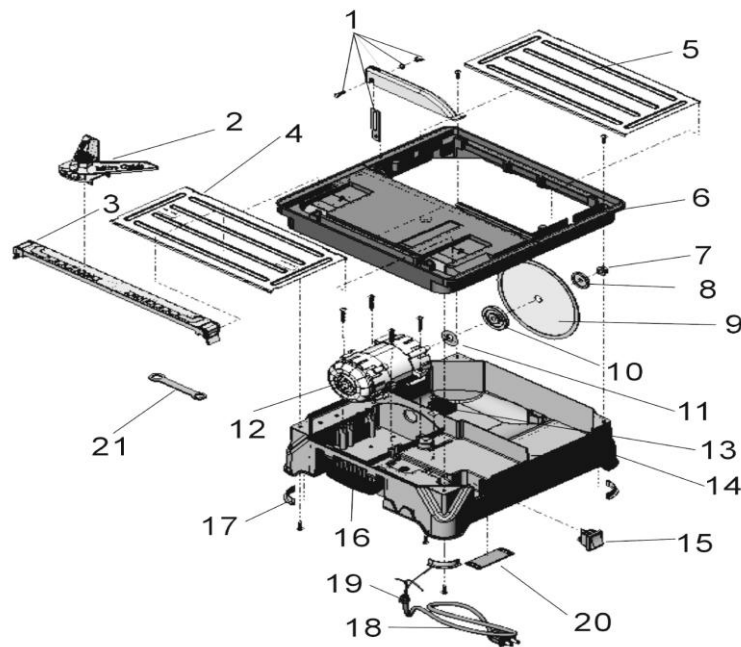
Q.E.P.

Catalog #

Product Description

7in Wet Tile Saw 22500

22500-1	Blade Guard Set
22500-2	Miter Guide Set
22500-3	Rip Fence
22500-4	Left Cutting Table
22500-5	Right Cutting Table
22500-6	Upper Frame
22500-7	Blade Lock Nut </td
22500-8	Outer Flange
6-7003CR	7" Continuous Rim (Gold Series)
22500-10	Inner Flange
22500-11	Oil Seal For Motor
22500-12	Motor
22500-13	Capacitor
22500-14	Main Frame
22500-15	Waterproof Switch
22500-16	Carrying Handle
22500-17	Rubber Base
22500-18	Power Cord
22500-19	Strain Relief Bushing
22500-20	Power Cord Shelter
22500-21	Universal Wrench





Q.E.P.

Catalog #

Product Description

10 Professional Tile Saw 60060

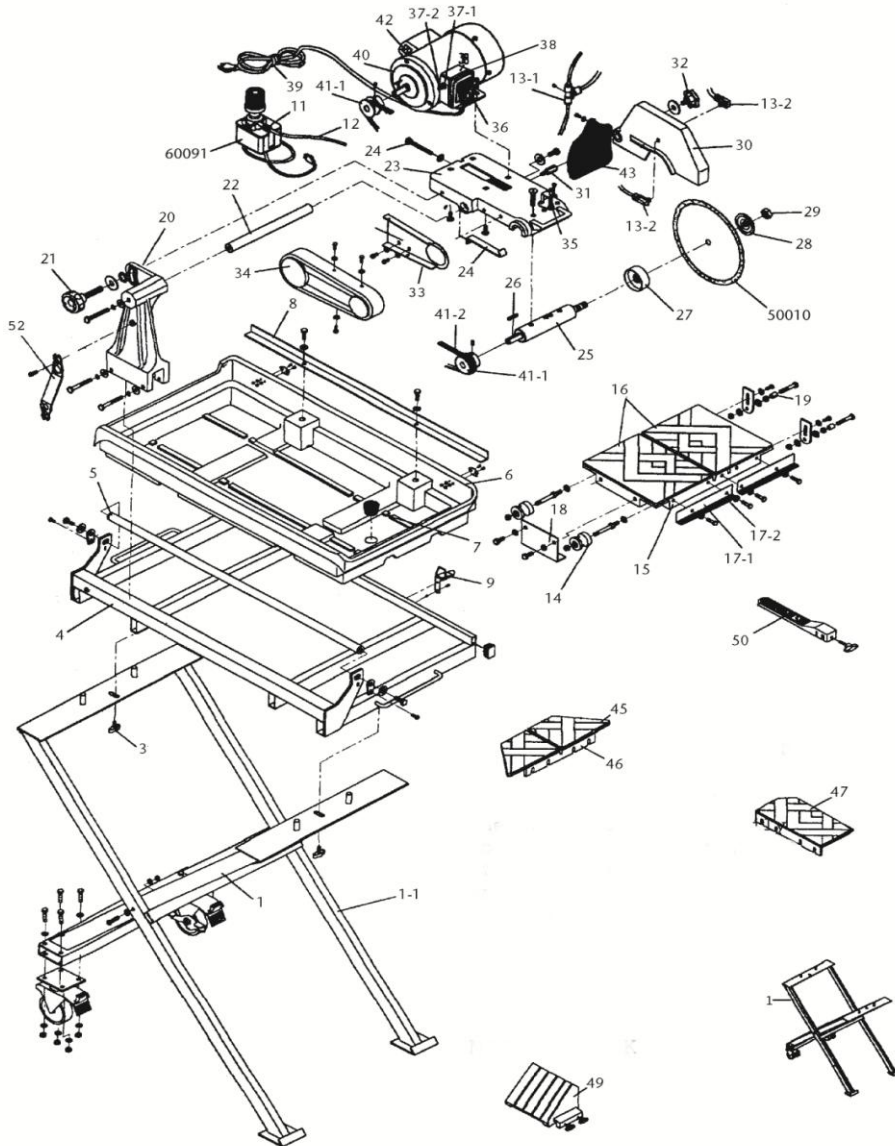
60060-01	Front&Rear Saw Stand W/Whls 1/
60060-03	Stand Knobs (Set Of 2)
60060-04	Frame Assembly
60060-05	Roller Guide Bar W/2Bolts & Wash,1
60060-06	Water Tray
60060-07	Drain Plug
60060-08	Angle Bar On Water Tray W/Hdwr
60060-09	Water Tray Brkt For Lock(2) 1/
60060-11	Water Valve
60060-12	Water Pump Tubing
60060-13	Water Flow"T"&"L"@2 W/Tubing 1
60060-14	"U"Shaped Rollers (Set Of 2)
60060-15	Cutting Table
60060-16	Rubber Mat For Cut. Table
60060-17	Ruler Guide W/4 Bolts&Stkr
60060-18	L-Shaped Supporter W/Hdwr
60060-19	Angle Bar Rollers (Set Of 2)
60060-20	Rear Support Post W/Hdwr
60060-21	Mounting Plate Adj.W/Hdwr
60060-22	Motor Support Shaft W/Hdwr
60060-23	Mounting Plate Adj.W/Hdwr
60060-24	Motor Adjust.Clip W/Hdwr
60060-25	Bearing Housing
60060-26	Pulley Shaft Lock Pin
60060-27	Inner Flange
60060-28	Outer Flange
60060-29	Blade Lock Nut
60060-30	Blade Guard
60060-31	Blade Guard Bolt
60060-32	Blade Guard Adjustable Knob
60060-33	Belt Guard Bracket
60060-34	Belt Guard
60060-35	Blade Shaft Lock
60060-36	Power Switch
60060-36A	New Locking Switch
60060-37	Circuit Break W/Water Prf Cvr
60060-38	Power Switch Housing
60060-39	Power Cord
60060-40	Motor
60060-41	Pulley (2)& Belt
60060-42	Single Socket
60060-43	Splash Guard Flap
60060-45	Rubber Mat/Front Ext. Table



Replacement Parts Price List

Tile Saws

- 60060-46 Front Extension Table
- 60060-47 Rubber Mat/Side Ext. Table
- 60060-48 Side Extension Table
- 60060-49 Miter Block
- 60060-50 45 Deg./90 Deg. Rip Guide
- 60060-52 Universal Wrench





Q.E.P.

Catalog #

Product Description

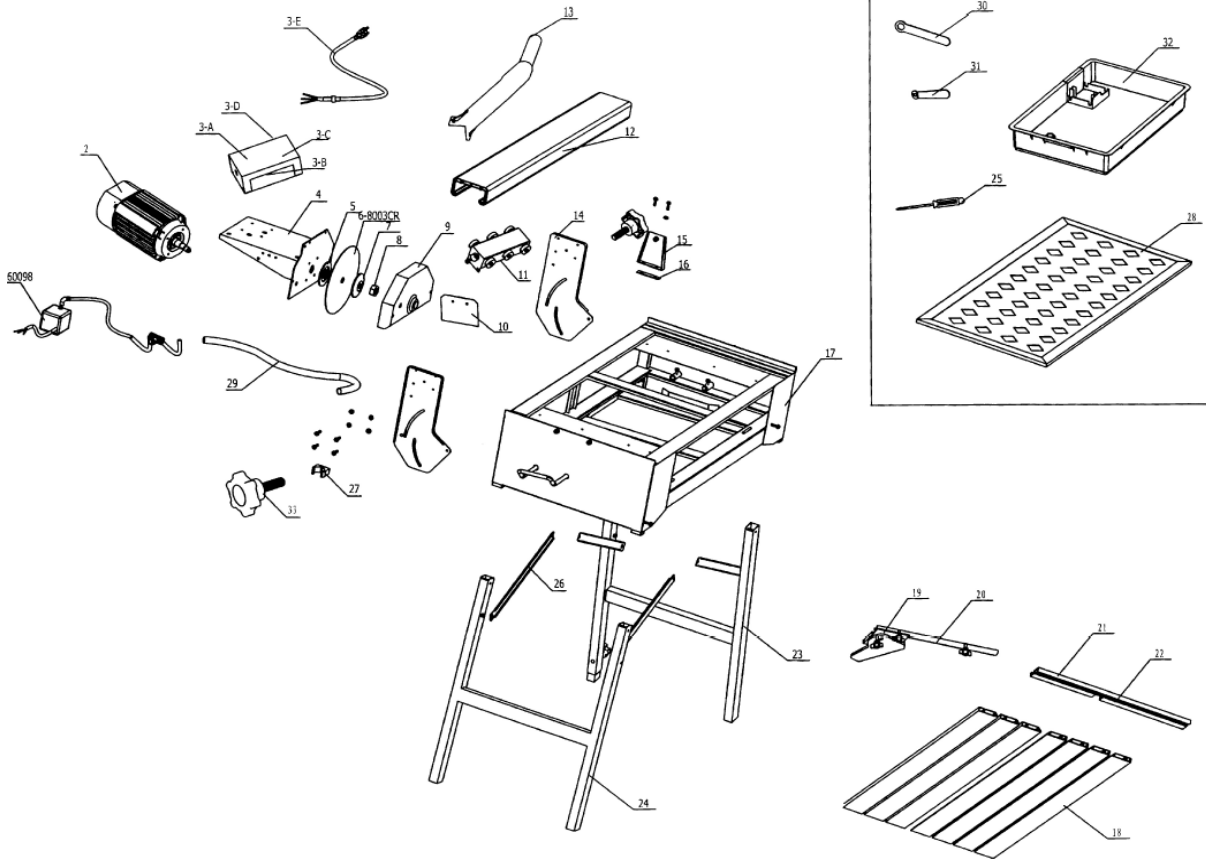
24 Bridge Saw 83200

60098	Water Pump(83240 & 83200)
83200-02	Motor
83200-03A	Connecting House
83200-03B	Switch
83200-03C	Circuit Breaker
83200-03D	Capacitor
83200-03E	Power Cable & Plug
83200-04	Motor Fixture
83200-05	Inside Flange
83200-07	Outside Flange
83200-08	Nut
83200-09	Safety Guard
83200-10	Water Spray Guard
83200-11	Motor Trolley Guide
83200-12	Slide Rail
83200-13	Handle
83200-14	Rail Stand
83200-15	Rail Stand Fixture (Set Of 2)
83200-16	Pad For 83200 (Set Of 2)
83200-17	Main Frame
83200-18	Table
83200-19	Angle Cutting Guide
83200-20	Measuring Guide
83200-21	Front Spacer
83200-22	Back Spacer
83200-23	Stand
83200-24	Leg Brace
83200-25	Butterfly Knob
83200-26	Support Bracket
83200-27	Plastic Tube Holder
83200-28	Steel Rack
83200-29	Protection Plastic Tube
83200-30	Hexagonal Blade Wrench
83200-31	Motor Shaft Wrench
83200-32	Water Tray
83200-33	Knobs (Set Of 2)



Replacement Parts Price List

Tile Saws





Q.E.P.

Catalog #

Product Description

24in. Dual Speed Tile Saw 60020

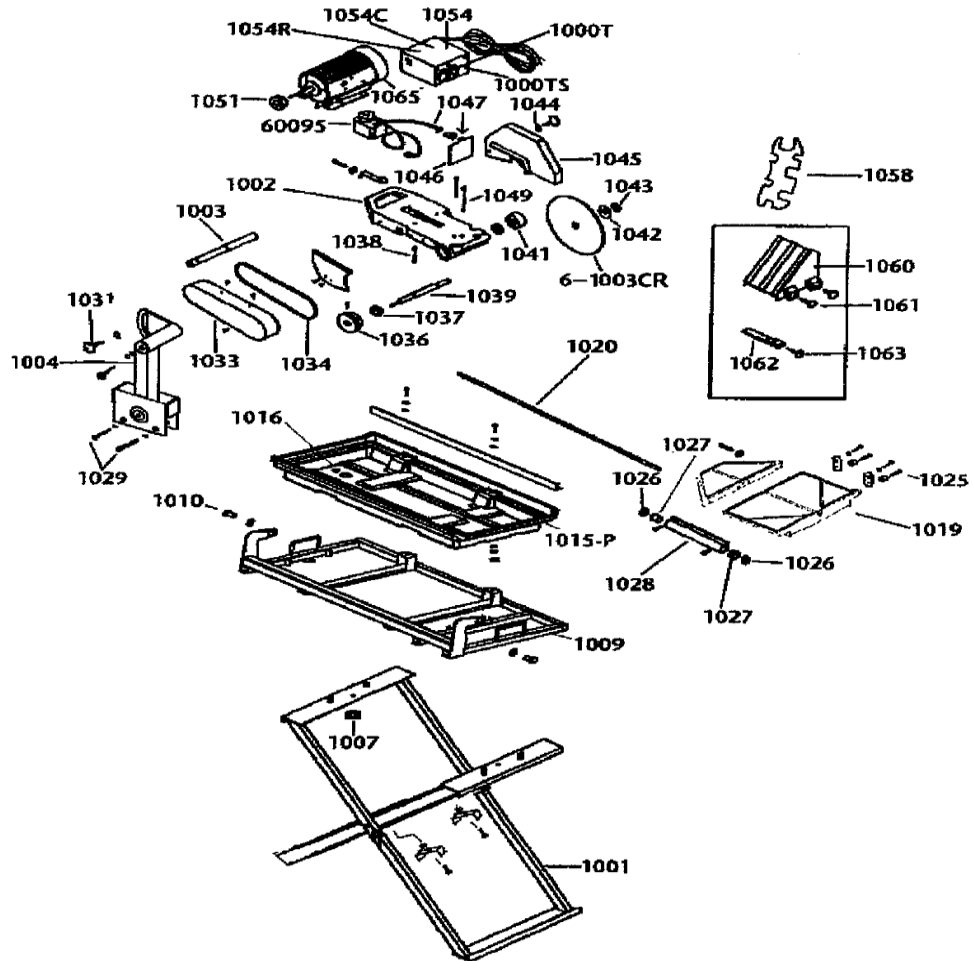
620-0000	Replacement Motor
620-1000T	Toggle Switch
620-1000TS	Face Plate
620-1001	Folding Saw Stand
620-1002	Motor Base
620-1003	Motor Support Shaft
620-1004	Motor Support Arm
620-1005	Bolts For Motor (Set Of 4)
620-1007	Stand/Frame Attachment Knobs (Set Of 2)
620-1008	Fan Cover
620-1009	Saw Frame
620-1010	Adjustable Screw-Tray
620-1015-P	Plastic Water Tray
620-1016	Drain Plug
620-1019	Cutting Table
620-1020	Rail
620-1025	Cutting Table Rollers (Set Of 2)
620-1026	Grease Seals (Set Of 2)
620-1027	Guide Tube Align Washer (Set Of 2)
620-1028	Lubricated Guide, Tube & Bolt
620-1029	Rear Support Post Nut & Bolt (Set Of 2)
620-1031	Rear Support Post Knob & Washers
620-1033	Belt Guard
620-1034	"A" Belt
620-1036	Blade Shaft Pulley
620-1037	Blade Shaft Bearing (Set Of 2)
620-1038	Blade Shaft Lock Pin
620-1039	Blade Shaft
620-1040	Mounting Plate
620-1041	Inner Flange
620-1042	Outer Flange
620-1043	Shaft Nut
620-1044	Blade Guard Knob & Washer
620-1045	Blade Guard
620-1046	Back Splash Guard
620-1047	Attachment Bracket
620-1048	Y-Water Feed
620-1049	Lock Pin (Set Of 2)
620-1051	Motor Pulley
620-1054	Power Reset Button Housing
620-1054C	Run Capacitor
620-1054R	Thermal Overload Reset Button
620-1054S	Start Capacitor



Replacement Parts Price List

Tile Saws

620-1058	Wrench
620-1060	45 Miter Block
620-1061	Miter Block Adjust.Knob (Set Of 2)
620-1062	Rip Guide
620-1063	Rip Guide Adjustment Knob
620-1065	Fan Cover
60095	Blade 10"
6-1003CR	Water Pump





Q.E.P.

Catalog #

Product Description

24in. Professional Tile Saw 61024

61024-01	Blade Lock Nut
61024-02	Outer Flange
6-1003CR	Blade
61024-04	Inner Flange
61024-05	Blade Guard Fixing Knob
61024-06	Blade Guard
61024-07	Water Brush (Set Of 2)
61024-08	Screw
61024-09	Flat Washer
61024-10	Y-Water Feed
61024-11	Philips Screw M5X16
61024-12	Water Tube Splitter Plate
61024-13	Splash Guard
61024-14	Phillips Screw M4X12 (Set Of 8)
61024-15	Flat Washer (Set Of 8)
61024-16	Blade Guard Shaft
61024-17	Plunge Adj Lever
61024-18	Wave-Shaped Bushing
61024-19	Teeth-Surface Nut
61024-20	Flat Water
61024-21	Motor Head Handle
61024-22	Motor
61024-23	Switch
61024-24	Receptacle Socket
61024-25	Power Cord
61024-26	Bevel Hinge Shaft
61024-27	Plunge Adj Plate
61024-28	Screw (Set Of 2)
61024-29	Washer Plate (Set Of 2)
61024-30	Spring Washer (Set Of 2)
61024-31	Motor Frame
61024-32	Bearings (Set Of 2)
61024-33	Plunge Counterforce Spring
61024-34	Plunge Shaft
61024-35	Hex Screw (Set Of 2)
61024-36	Phillips Screw (Sqneck) M8X4
61024-37	Bevel Angle Marking Plate
61024-38	Pointer
61024-39	Bevel Cut Adjustment Knob
61024-40	Bevel Hinge Shaft
61024-41	Hex Socket Cap Screw (Set Of 3)
61024-42	Motor Frame Locking Knob
61024-43	Cord Collecting Hanger



Replacement Parts Price List

Tile Saws

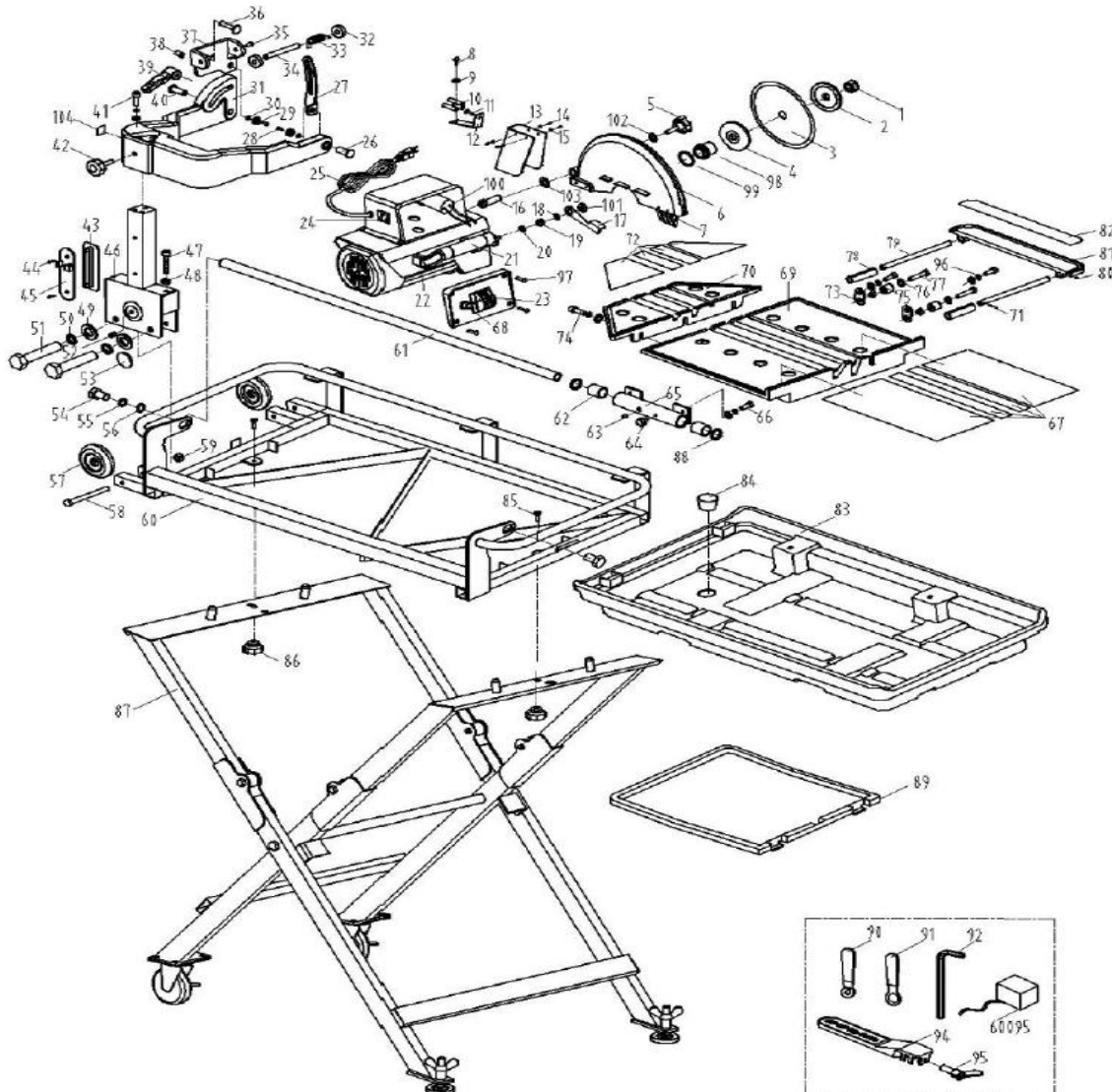
61024-44	Cord Col. Hanger Cover Plate
61024-45	Screw (Set Of 2)
61024-46	Motor Support Arm
61024-47	Hex Socket Cap Screw
61024-48	Lock Nut (Set Of 2)
61024-49	Flat Washer (Set Of 2)
61024-50	Spring Washer (Set Of 2)
61024-51	Hex Screw (Set Of 2)
61024-52	Hex Socket Cap Screw M10X12
61024-53	Motor Support Arm Washer
61024-54	Hex Screw
61024-55	Surface Washer
61024-56	Flat Washer
61024-57	4 In.Base Frame Caster (Set Of 2)
61024-58	Hex Screw (Set Of 2)
61024-59	Self Locking Nut M8 (Set Of 2)
61024-60	Base Frame
61024-61	Work Table Sliding Rail
61024-62	Slide Tube Assembly
61024-63	Grease Injection Fitting
61024-64	Slide Tube Lock Knob
61024-65	Sliding Tube
61024-66	Hex Screw (Set Of 2)
61024-67	Work Tube Pad Set
61024-68	Overload Switch
61024-69	Work Table
61024-70	Back Extension Working Table
61024-71	Pin For Ext Tube(Set Of 2)
61024-72	Back Extension Pad Set
61024-73	Roller Fixing Plate
61024-74	Hex Socket Cap Screw M8X22 (Set Of 4)
61024-75	Nylon Roller (Set Of 2)
61024-76	Flat Washer (Set Of 13)
61024-77	Hex Screw (Set Of 2)
61024-78	Side Ext Table Tube Bushing (Set Of 2)
61024-79	Side Extension Tube (Set Of 2)
61024-80	Hex Socket Cap Screw (Set Of 2)
61024-81	Side Extension Table
61024-82	Side Extension Table Pad
61024-83	Water Tray
61024-84	Drain Plug
61024-85	Phillips Screw M6X20 (Set Of 2)
61024-86	Stand Knob (Pair)
61024-87	Saw Stand
61024-88	Sliding Tub End Seal (Set Of 2)
61024-89	Extension Water Tray



Replacement Parts Price List

Tile Saws

- 61024-90 Motor Shaft Wrench
- 61024-91 Wrench For Loosening Nut
- 61024-92 Allw Wrench
- 61024-94 Rip Guide
- 61024-95 Rip Guide Knob
- 61024-96 Spring Washer (Set Of 13)
- 61024-97 Self Tapping Screw (Set Of 4)
- 61024-98 Motor Shaft Bushing
- 61024-99 Sealing
- 61024-100 Capacitor
- 61024-101 Thin Nut (Set Of 2)
- 61024-102 Flat Washer
- 61024-103 Flat Washer
- 61024-104 Water Tube Clip
- 60095 Blade 10"





Q.E.P.

Catalog #

Product Description

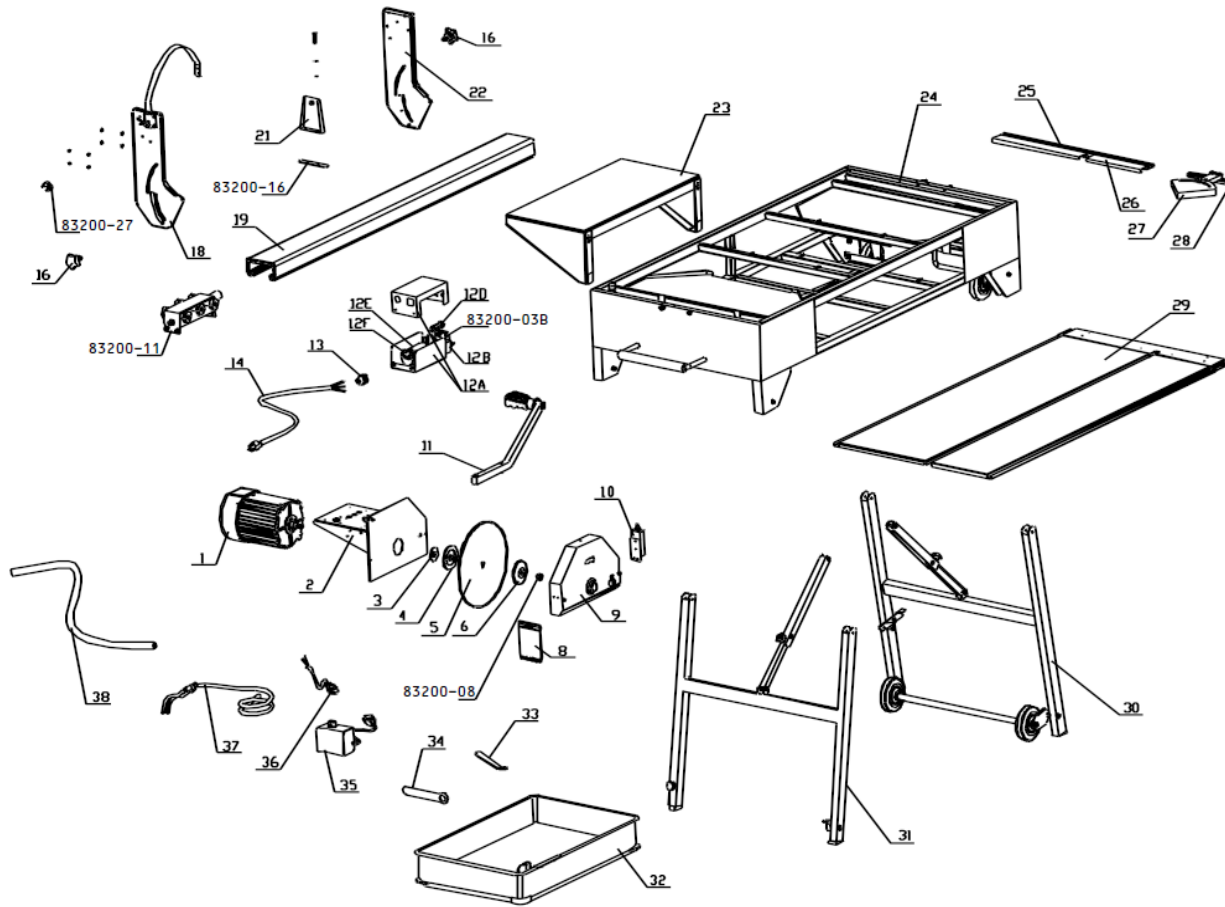
40in. Bridge Saw 83240

83240-01	Motor
83240-02	Motor Fixture
83240-03	Waterproofing
83240-04	Inside Flange
83240-06	Outside Flange
83240-07	Nut
83240-09	Safety Guard
83240-10	Laser System
83240-11	Handle
83240-12A	Connecting House
83240-12B	Circuit Breaker
83240-12C	Switch
83240-12D	Indicator Light
83240-12E	Capacitor
83240-12F	Power Socket
83240-13	Cable Lock
83240-14	Power Cable
83240-15	Motor Trolley Guide
83240-16	Knobs (Set Of 2)
83240-17	Plastic Tube Holder
83240-18	Rail Stand (Left)
83240-19	Slide Rail
83240-20	Pad
83240-21	Rail Stand Fixture
83240-22	Rail Stand Fixture (Right)
83240-23	Extension Table
83240-24	Metal Frame
83240-25	Front Spacer
83240-26	Back Spcaer
83240-27	Angle Cutting Guide
83240-28	Measuring Guide
83240-29	Table
83240-30	Stand I W/ Wheels
83240-31	Stand li
83240-32	Water Tray
83240-33	Motor Shaft Wrench
83240-34	Hex Blade Wrench
83240-36	Cable For Pump
83240-37	Cooling Water Pipe
83240-38	Protection Plastic Tube



Replacement Parts Price List

Tile Saws





Q.E.P.

Catalog #

Product Description

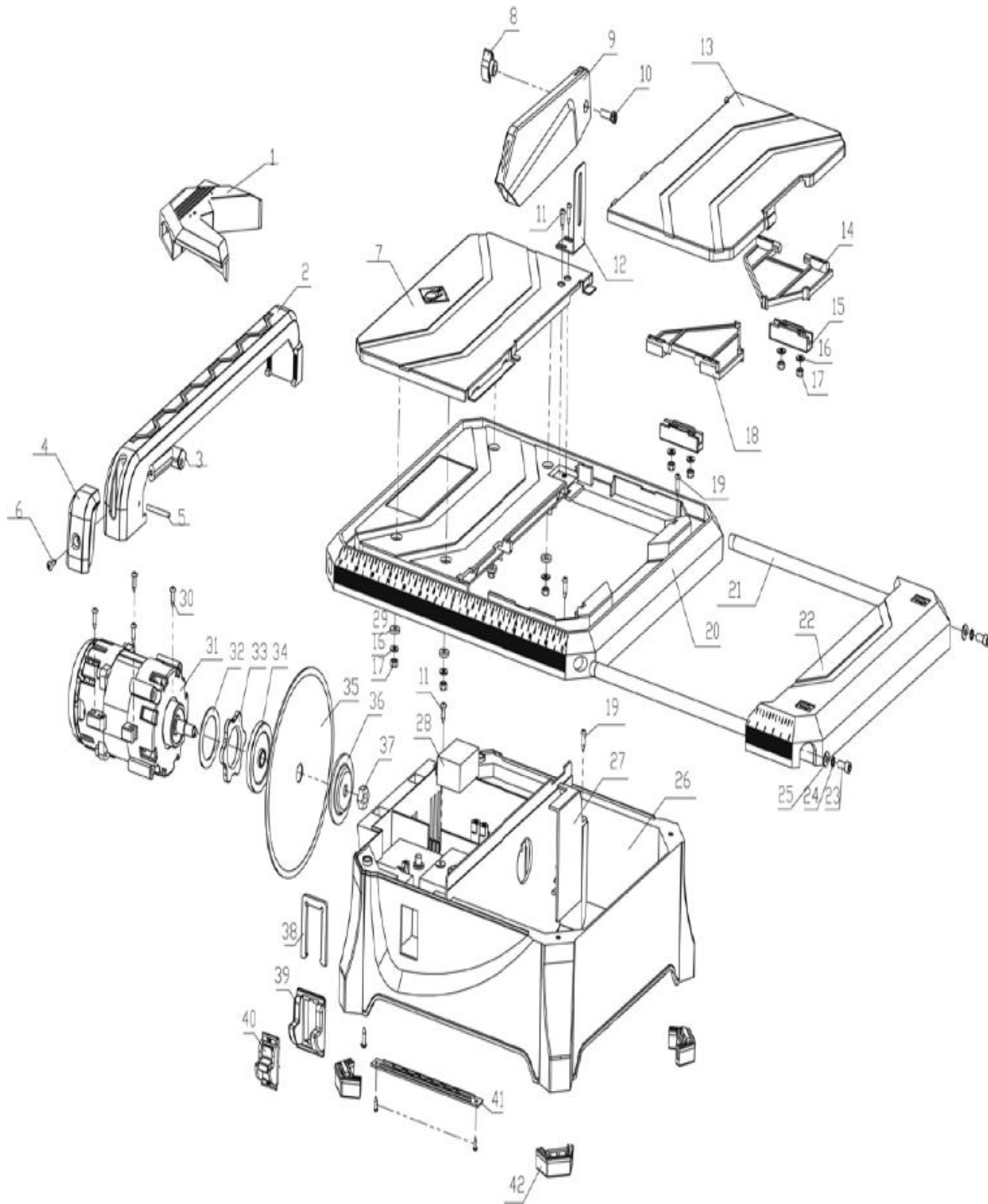
650XT 7in. Tile Wet Saw 22650

22650-1	Angle Guide
22650-2	Rip Guide
22650-3	Lock Piece For The Rip Guide
22650-4	Locking Clip For The Rip Guide
22650-5	Cylinder Pin
22650-6	Cross Recessed Pan Head Tapping Screw
22650-6A	Assembled Rip Guide
22650-7	Left Cutting Table
22650-8	Locking Knob For Blade Guard
22650-9	Blade Guard
22650-10	Hexagon Bolt
22650-11	Cross Recessed Pan Head Tapping Screws (Pack Of 3)
22650-12	Rack For The Blade Guard
22650-13	Right Cutting Table
22650-14	Support For Adjusting Angles
22650-15	Bases For The Supports (Pack Of 2)
22650-16	Plain Washers (Pack Of 8)
22650-17	Anti-Loosing Nuts (Pack Of 8)
22650-18	Support For Adjusting Angles
22650-19	Cross Recessed Pan Head Tapping Screws (Pack Of 8)
22650-20	Upper Frame
22650-21	Tube For Extension Tables (Pack Of 2)
22650-22	Extension Table
22650-23	Pan Head Screw With Cross Recess
22650-24	Pads (Pack Of 2)
22650-25	Plain Washers
22650-26	Main Frame
22650-27	Splash Baffle
22650-28	Capacitor
22650-29	Rubber Washers
22650-30	Cross Recessed Pan Head Tapping Screws (Pack Of 4)
22650-31	Motor
22650-32	Oil Seal For Motor
22650-33	Plastic Nut
22650-34	Inner Flange
22650-35	Blade
22650-36	Outer Flange
22650-37	Hexagon Nut
22650-38	Fixing For Protector
22650-39	Protector For Switch
22650-40	Switch
22650-41	Power Cord Shelter
22650-42	Pvc Feet (Pack Of 4)



Replacement Parts Price List

Tile Saws





Q.E.P.

Catalog #

Product Description

830Z 30 Professional Bridge Saw 83230

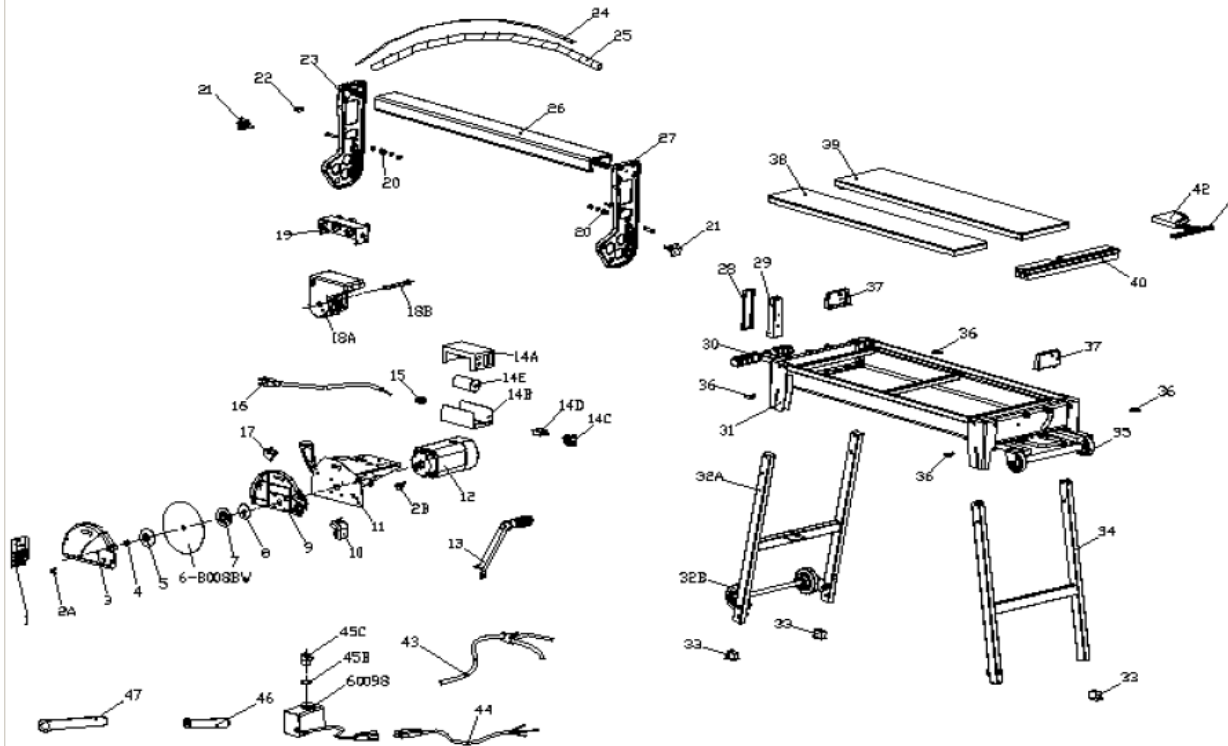
83230-01	Water Spray Guard
83230-02A	Water Pipe Connector A
83230-02B	Water Pipe Connector B
83230-03	Blade Guard A
83230-04	Nut
83230-05	Outside Flange
6-8008BW	8 Inch Porcelain Blade
83230-07	Inside Flange
83230-08	Water Proof
83230-09	Blade Guard B W/Laser
83230-10	Laser Blade Guard W/Switch
83230-11	Motor Lock
83230-12	Motor
83230-13	Handle
83230-14A	Connecting House Cover
83230-14B	Connecting House
83230-14C	Switch
83230-14D	Circuit Breaker
83230-14E	Capacitor
83230-15	Cable Lock
83230-16	Power Cable
83230-17	Knob
83230-18A	Punching Cutting System
83230-18B	Spring Shaft
83230-19	Ball Bearing Trolley
83230-20	Position Bar
83230-21	Knob
83230-22	Plastic Tube Holder
83230-23	Left Rail Stand
83230-24	Resetable Sheet
83230-25	Protection Plastic Tube
83230-26	Slide Rail
83230-27	Right Rail Stand
83230-28	Pump Connection Box Cover
83230-29	Pump Connection Box
83230-30	Pull-Out Handle
83230-31	Main Frame
83230-32A	Left Stand
83230-32B	Footwheel System
83230-33	Foot Pad
83230-34	Right Stand
83230-35	Upper Wheel System
83230-36	Butterfly Knob



Replacement Parts Price List

Tile Saws

83230-37	Rail Stand Fixture
83230-38	Table I
83230-39	Table li
83230-40	Spacer
83230-41	Measuring Guide
83230-42	Angle Cutting Guide
83230-43	Water Pipe
83230-44	Cable For The Pump
60098	Water Pump(83240 & 83200)
83230-45B	O Ring
83230-45C	Pump Connector
83230-46	Motor Shaft Wrench
83230-47	Hexagonal Blade Wrench
83230-48	Double Sided Coupling





Q.E.P.

Catalog #

Product Description

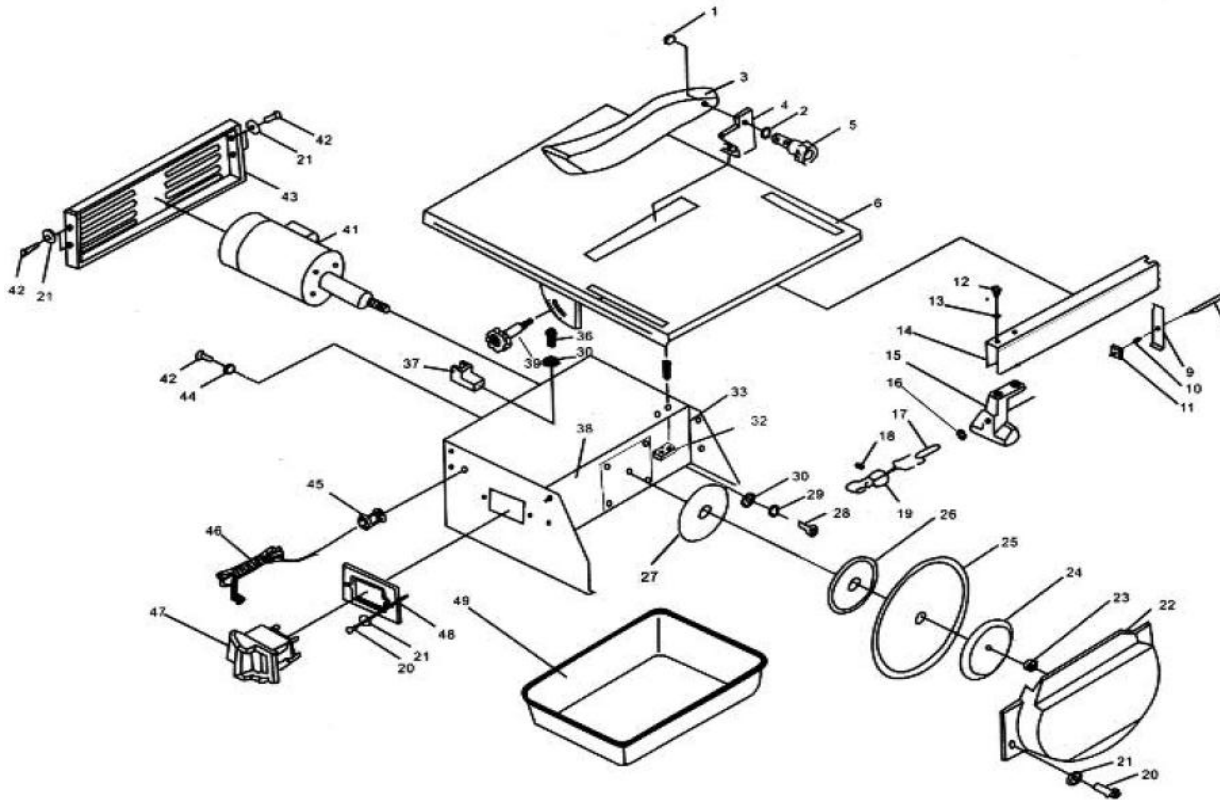
Master Cut 7 Portable Tile Saw 60089

60089-1-N	Nut
60089-2-N	Washer
60089-3-N	Bladeguard
60089-4-N	Riving Knife
60089-5-N	Bolt
60089-6-N	Table
60089-7-N	Clamp Rod
60089-9-N	Moving Clamp
60089-10-N	Spring
60089-11-N	Square Spacer
60089-12-N	Hex Screw
60089-13-N	Washer
60089-14-N	Fence
60089-15-N	Fixed Clamp
60089-16-N	Flat Washer
60089-17-N	Connection Bolt
60089-18-N	Cotter Pin
60089-19-N	Clamp Lever
60089-20-N	Screw
60089-21-N	Washer
60089-22-N	Lower Bld Guard
60089-23-N	Nut
60089-24-N	Outer Flange
6-7003CR	Blade
60089-26-N	Inner Flange
60089-27-N	Lower Blade Plate
60089-28-N	Screw
60089-29-N	Spring Washer
60089-30-N	Washer
60089-32-N	Nut
60089-33-N	Frame
60089-36-N	Screw
60089-37-N	Cord Storage
60089-39-N	Knob
60089-41-N	Motor
60089-42-N	Screw
60089-44-N	Star Washer
60089-45-N	Strain Relief
60089-46-N	Cable & Plug
60089-47-N	Key Safety Switch
60089-48-N	Plate
60089-49-N	Water Tank



Replacement Parts Price List

Tile Saws





Q.E.P.

Catalog #

Product Description

7" Professional Tile Saw 60083

60083-1	Extension Cutting Table
60083-2	Angle Cutting Guide
60083-3	Fixed Spring
60083-5	Screw
60083-6	Water Proof Plank
60083-7	Washer
60083-8	Blade Guard
60083-9	Blade Guard Label
60083-10	Knob
60083-11	Screw
60083-12	Cutting Table
60083-13	Blade Guard Support
60083-14	Nut
60083-15	Inner Flange
6-7003CR	7" Blade
60083-17	Outer Flange
60083-18	Nut
60083-19	Rubber Washer
60083-20	Washer
60083-21	Screw
60083-22	Frame
60083-23	Rubber Base
60083-24	Plug Cover
60083-25	Plug Cover
60083-26	O Ring
60083-27	Wrench
60083-28	Washer
60083-29	Washer
60083-30	Screw
60083-31	Capacitor Fixer
60083-32	Screw
60083-33	Capacitor
60083-34	Shell
60083-35	Screw
60083-36	Screw
60083-37	Nut
60083-38	Washer
60083-39	Switch Cover
60083-40	Washer
60083-41	Washer
60083-42	Screw
60083-43	Overload Breaker
60083-43-1	Cover for Breaker



Replacement Parts Price List

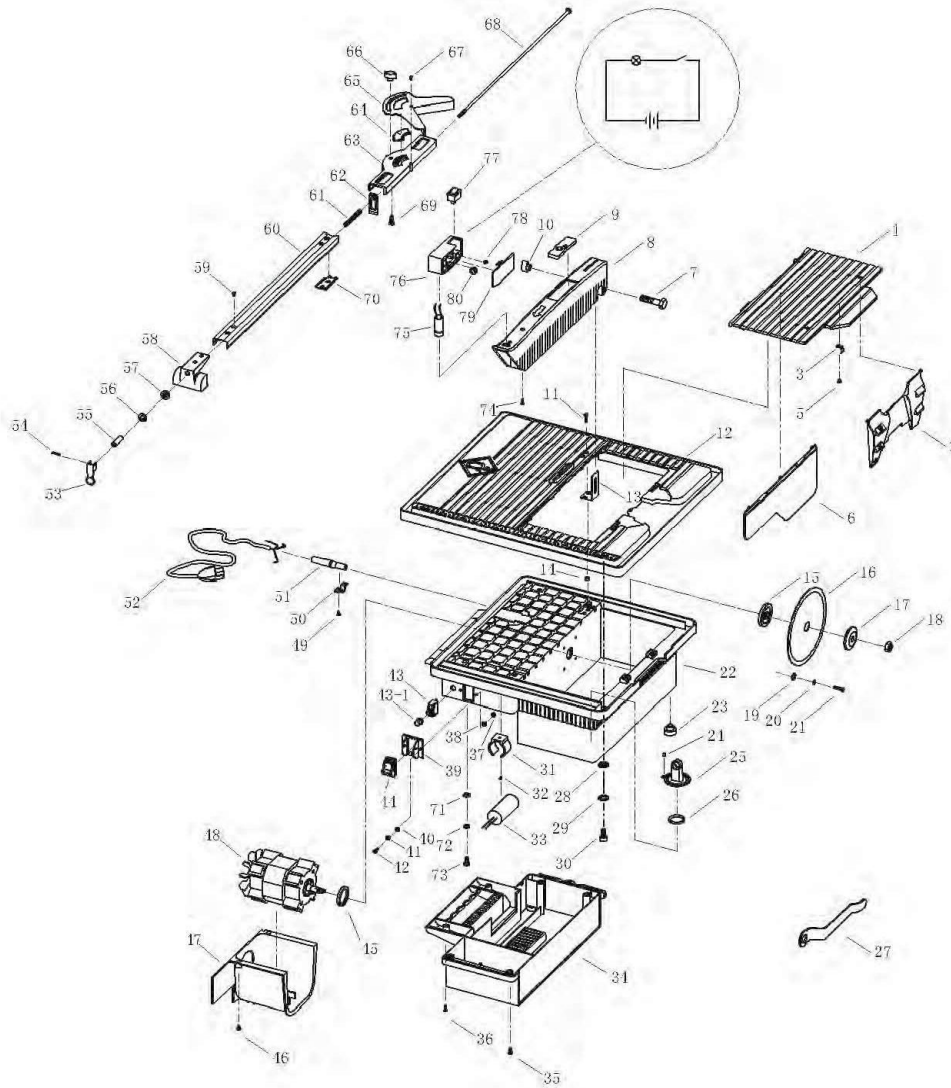
Tile Saws

60083-44	Switch
60083-45	Washer for Motor
60083-46	Screw
60083-47	Cover for Motor
60083-48	Motor
60083-49	Screw
60083-50	Clamp
60083-51	Gasket
60083-52	Power Cord
60083-53	Fastener
60083-54	Pin
60083-55	Shaft
60083-56	Washer
60083-57	Washer
60083-58	Fixed Block
60083-59	Screw
60083-60	Rip Guide
60083-61	Spring
60083-62	Fastener
60083-63	Angle Guide Plate
60083-64	Angle Indicator
60083-65	Miter Guide
60083-66	Knob
60083-67	Screw
60083-68	Screw
60083-69	Screw
60083-70	Support
60083-71	Washer
60083-72	Spring Washer
60083-73	Screw
60083-75	Laser Light
60083-76	Laser Light Case
60083-77	Switch
60083-78	Nut
60083-79	Cover of Laser Light Case
60083-80	Alkaline Button Cell



Replacement Parts Price List

Tile Saws





Q.E.P.

Catalog #

Product Description

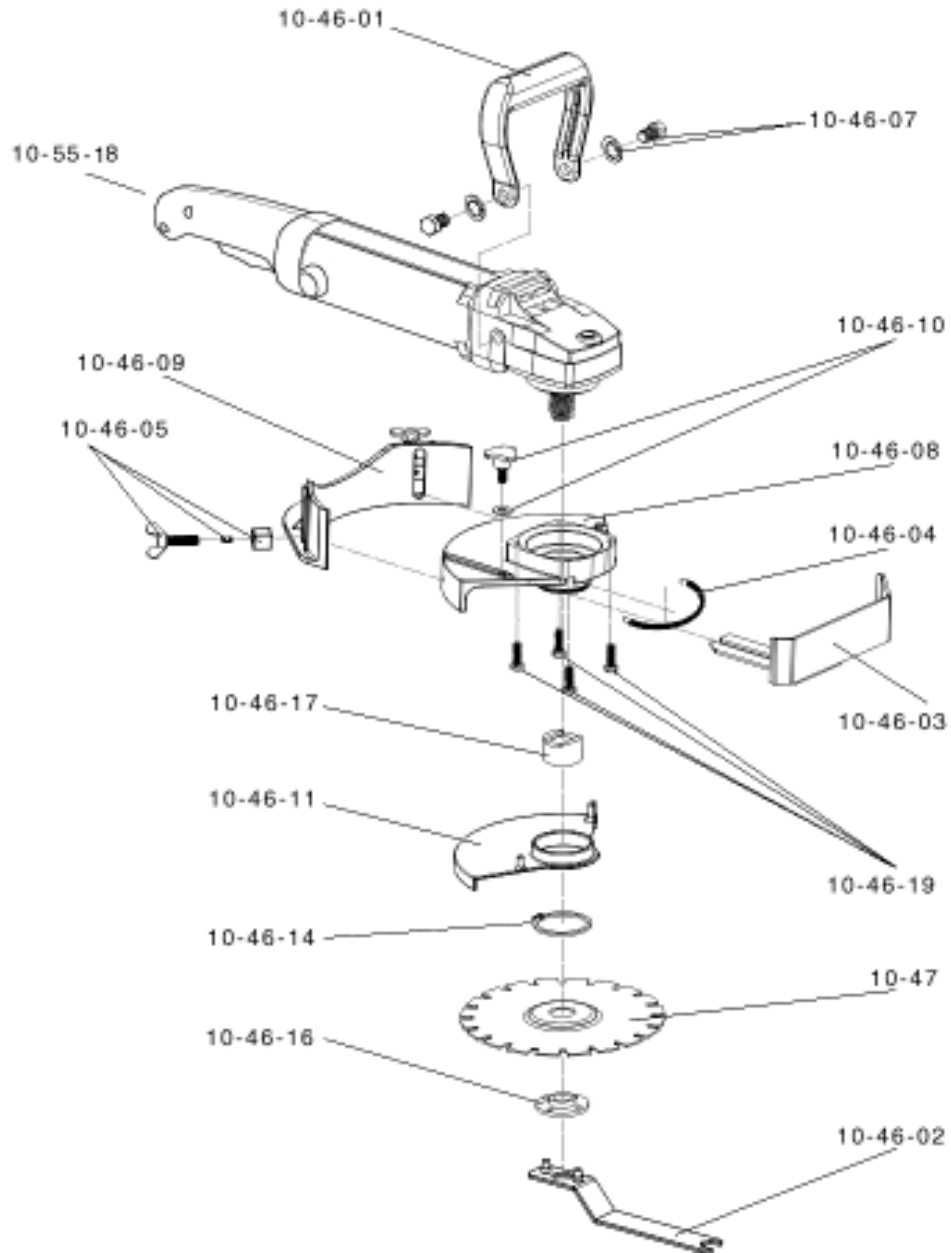
Long Neck 6" Jamb Saw 10-55

10-46-01	Handle
10-55-02	Allen Wrench
10-46-03	Depth Gauge
10-46-04	Return Spring (3 pack)
10-46-05	Screws, Spacers, Spring (2 pack)
10-46-07	Handle Bolt & Lock Washer
10-46-08	Mounting Body
10-46-09	height Adjustment Skirt
10-46-10	Screw Knob, Washer for Depth Gauge
10-46-11	Safety Guard
10-46-12	Return Spring (100 Bulk Pack)
10-46-14	Snap Ring
10-55-16	Blade Clamp/Blade Screw
10-55-17	Arbor Spacer
10-55-18	Motor Unit
10-46-19	Mounting Screws (4 pack)
10-55-20	Replacement Switch
10-55-21	Carbon Brushes (2)
10-47	6-3/16" (158mm) Cupped Arbor, Carbide Tip Saw Blade
10-55-22	Washer
10-55-23	Tool for Disassembling Brushes
10-55-24	Masonry Blade
10-55-25	Masonry Blade Adapter



Replacement Parts Price List

Tile Saws





Q.E.P.

Catalog #

Product Description

4" Professional Handheld Tile Saw

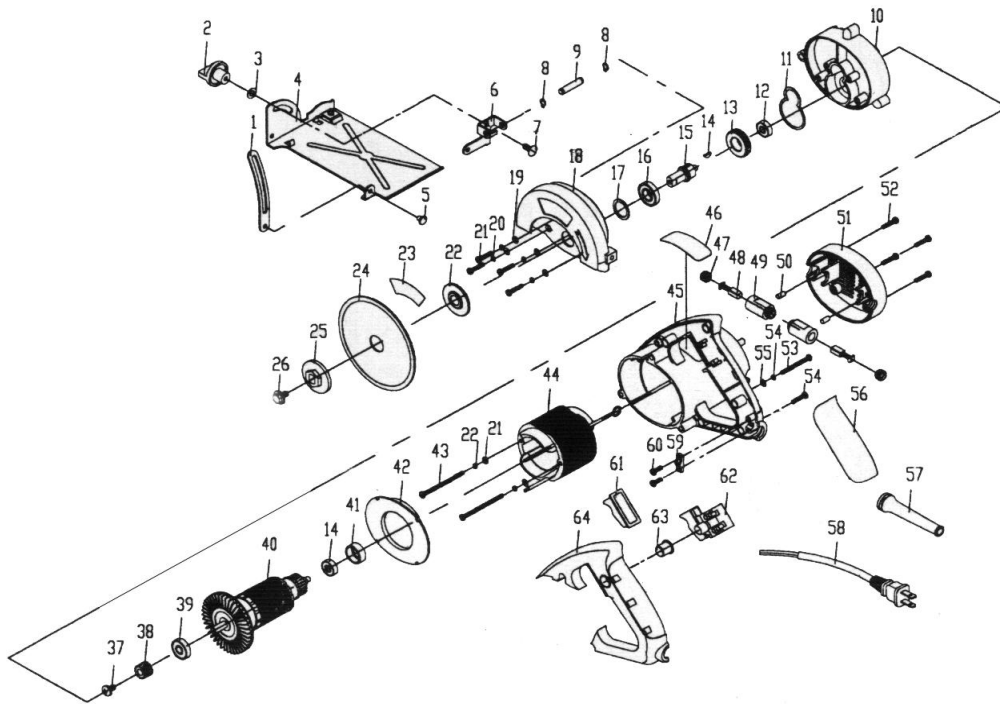
21643-01	Stand
21643-02	Knob
21643-03	Washer (Set of 4)
21643-04	Guiding Board
21643-05	Rivet
21643-06	Pole
21643-07	Screw (Set of 2)
21643-08	Washer (Set of 4)
21643-09	Pin
21643-10	Gear Box
21643-11	Sealer Loop
21643-12	Bearing
21643-13	Big Gear
21643-14	Key
21643-15	Shaft
21643-16	Bearing
21643-17	Sealing Washer
21643-18	Cover
21643-19	Washer (Set of 4)
21643-20	Spring Washer (Set of 4)
21643-21	Screw (Set of 4)
21643-22	Flange (Set of 4)
21643-23	Trademark
21643-25	Flange
21643-26	bolt
21643-37	Screw
21643-38	Small Gear
21643-39	Bearing
21643-40	Armature Assembly
21643-41	Damping Washer
21643-42	Nozzle
21643-43	Screw (Set of 2)
21643-44	Starter
21643-45	House
21643-46	Label
21643-47	Screw Bolt (Set of 2)
21643-48	Carbon Brush (Set of 2)
21643-49	Carbon Box (Set of 2)
21643-50	Damping Pole (Set of 2)
21643-51	Back Cover
21643-52	Screw (Set of 4)
21643-53	Screw (Set of 4)
21643-54	Spring Washer (Set of 2)



Replacement Parts Price List

Tile Saws

- 21643-55 Washer (Set of 6)
- 21643-56 Decorative Skin
- 21643-57 Cord Jacket
- 21643-58 Power Cord
- 21643-59 Cord Clamp
- 21643-60 Screw (Set of 2)
- 21643-61 Switch cover
- 21643-62 Switch cover
- 21643-63 Knob Cover
- 21643-64 Handle







—
/
/





Replacement Parts Price List

Tile Saws





Replacement Parts Price List

Tile Saws



Replacement Parts Price List

Tile Saws





















Replacement Parts Price List

Tile Saws

▶

▶





Replacement Parts Price List

Tile Saws



Replacement Parts Price List

Tile Saws







Replacement Parts Price List

Tile Saws

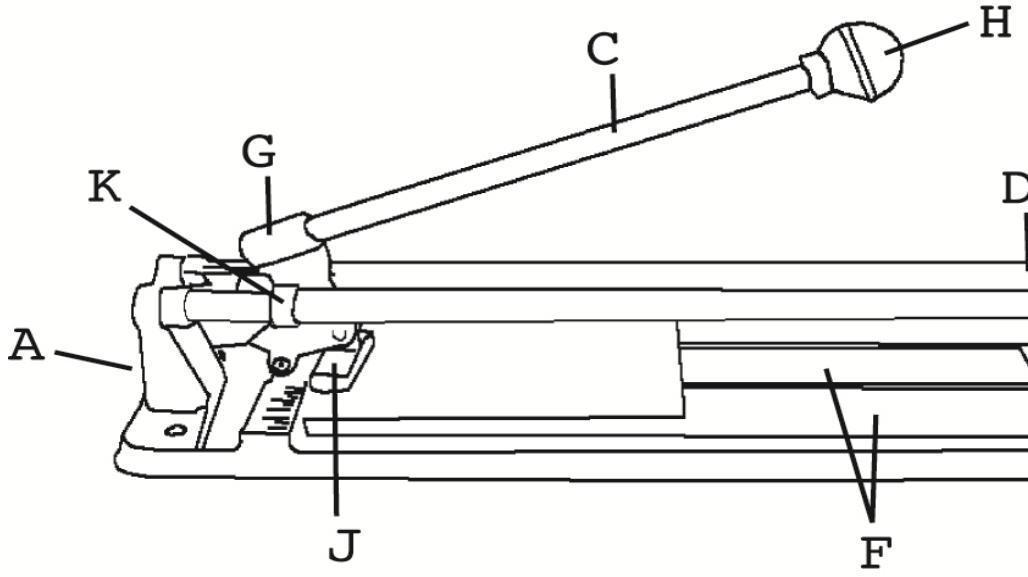
1



Q.E.P. Catalog #	Product Description
---------------------	---------------------

12in. Tile Cutter 10267

127-A	Rail Post
123-C	Handle W/Knob
125-D	Rail Bars - (Set Of 2)
129-E	Metal Base
121-F	Rplc Pads L&R
128-G	Yoke
124-H	Knob Only
126-J	Breaker Bar
122-K	Slide Rail
10267*	Box



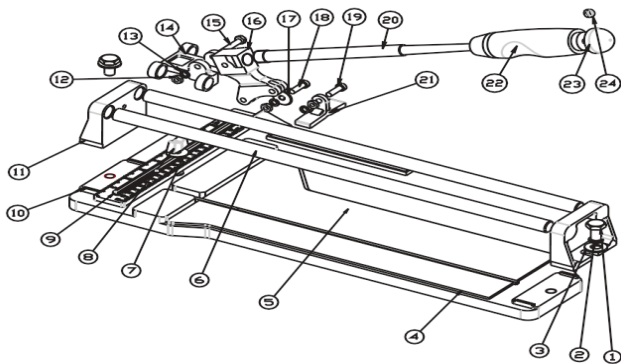


Q.E.P. Catalog #	Product Description
---------------------	---------------------

13in. Tile Cutter 13000

13000-1	Repl Bolt
13000-2	Spring Washer
13000-3	Flat Washer
13000-4	Sponge Cushion
13000-5	Sponge Cushion (Set Of 2)
13000-6	Sliding Bar
13000-7	Washer
13000-8	Guide Knob
13000-9	Ruler
13000-10	Base
13000-11	Support
13000-12	Nut
13000-13	Spring Washer
13000-14	Slide
13000-15	Bolt
13000-16	Connector
13000-17	Cutting Wheel
13000-18	Left Bolt
13000-19	Right Bolt
13000-20	Push Bar
13000-21	Breaker Foot
13000-22	Handle Base
13000-23	Handle Cover
13000-24	Flange Nut

PARTS LIST

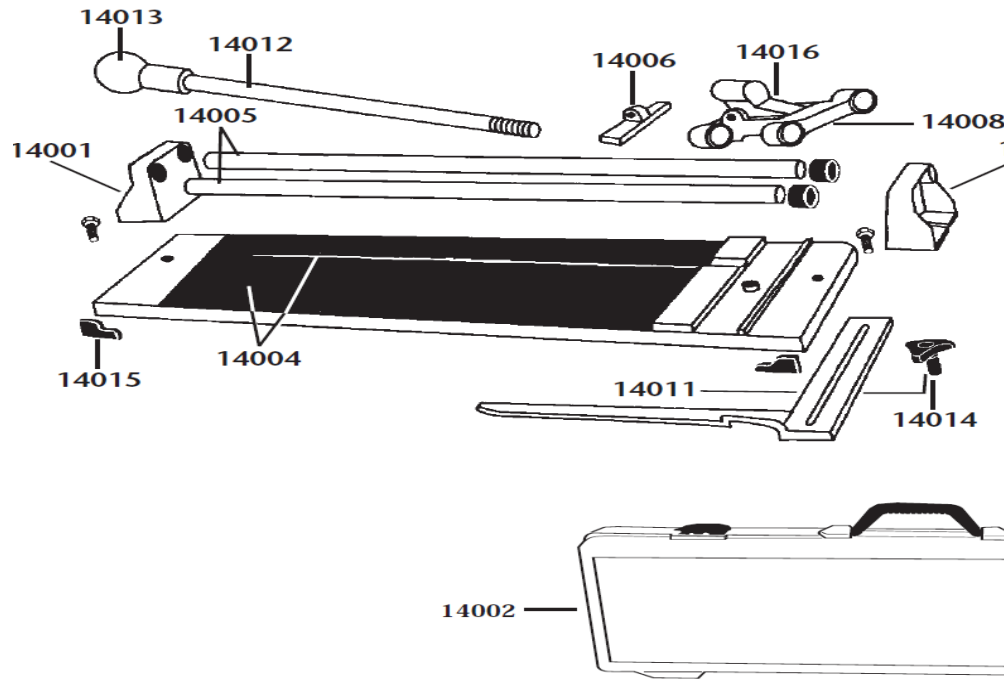


1	bolt
2	spring
3	flat wa
4	sponge
5	sponge
6	sliding
7	washe
8	guide
9	ruler
10	base
11	suppo
12	nut
13	spring
14	slide
15	bolt
16	conne
17	cutting
18	bolt
19	bolt
20	push b
21	break
22	handle
23	handle
24	flange



Q.E.P. Catalog #	Product Description
------------------	---------------------

14in. Monocottura Tile Cutter 14000	
14000*	Box
14001	End Bracket
14002	Case
14004	Replacemt Pads L&R
14005	Rails - (Pack Of 2)
14006	Breaker Bar
14008	Slide Assembly
14011	Guide
14012	Handle Only
14013	Knob Only
14014	Guide Nut
14015	Cushion Bases (Pack Of 4)
14016	Yoke





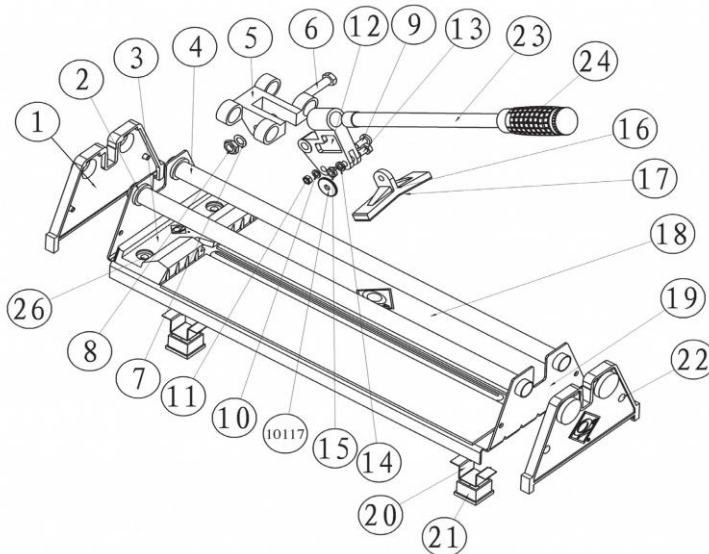
Q.E.P.

Catalog #

Product Description

14in. Tile Cutter 10214

10214-1	Frame Cover
10214-2	Limit Stop Collar
10214-3	Ruler
10214-4	Guide Bar
10214-5	Support
10214-6	M8 Bolt
10214-7	8 mm Plain Washer
10214-8	M8 Nut
10214-9	M5 Bolt
10214-10	5 mm Lock Washer
10214-11	M5 Nut
10214-12	Cutting Wheel Holder
10214-13	M6 Bolt
10214-14	6 mm Lock Washer
10214-15	M6 Nut
10214-16	Breaker Bar
10214-17	Rubber Pad
10214-18	Pad
10214-19	Base
10214-20	Supporting Feet
10214-21	Feet Cover
10214-22	5 mm Rivet
10117	7/8" Titan. Super Cutting Wheel 3/Cs
10214-24	Handle

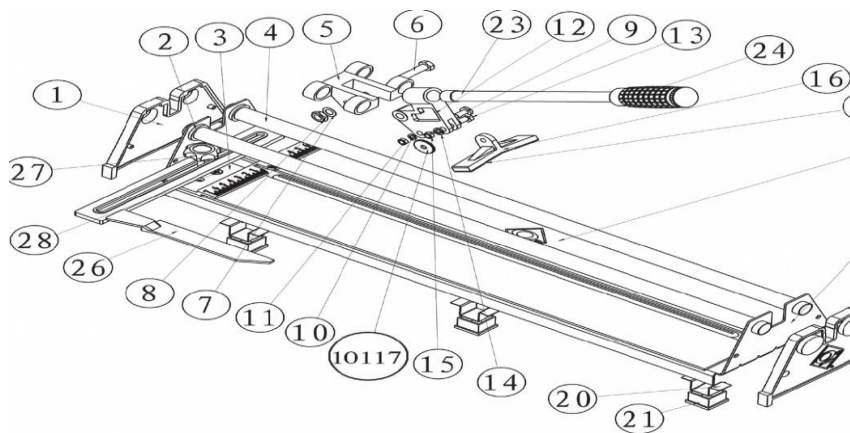




Q.E.P. Catalog #	Product Description
---------------------	---------------------

20 Tile Cutter 10220

10220-1	Frame Cover
10220-2	Limit Stop Collar
10220-3	Ruler
10220-4	Guide Bar
10220-5	Support
10220-6	M8 Bolt
10220-7	8 mm Plain Washer
10220-8	M8 Nut
10220-9	M5 Nut
10220-10	5 mm Lock Washer
10220-11	M5 Nut
10220-12	Cutting Wheel Holder
10220-13	M6 Bolt
10220-14	6 mm Lock Washer
10220-15	M6 Nut
10220-16	Breaker Bar
10220-17	Rubber Pad
10220-18	Pad
10220-19	Base
10220-20	Supporting Feet
10220-21	Feet Cover
10220-22	5 mm Rivet
10220-23	Handle Bar
10220-24	Handle Bar
10117	7/8" Titan. Super Cutting Wheel 3/Cs
10220-26	Square
10220-27	Screw
10220-28	M6 Screw





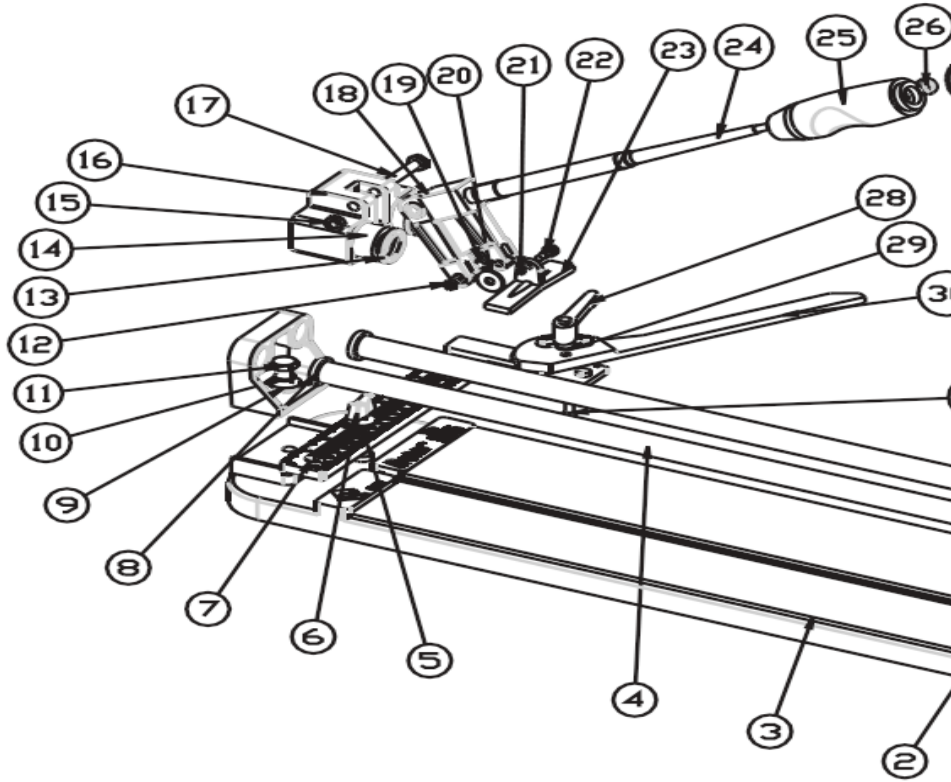
Q.E.P.

Catalog #

Product Description

20in.(500mm) Tile Cutter 10552

10552-1	Support
10552-2	Sponge Cushion (Pack Of 2)
10552-3	Sponge Cushion
10552-4	Sliding Bar
10552-5	Flat Washer
10552-6	Set Bolt
10552-7	Ruler
10552-8	Buffer Circle
10552-9	Flat Washer
10552-10	Spring Washer
10552-11	Bolt
10552-12	Nut
10552-13	Bearing Cover
10552-14	Bearing
10552-15	Nut
10552-16	Slide
10552-17	Bolt
10552-18	Connector
10552-19	Bolt
10552-20	Blade
10552-21	Nut
10552-22	Bolt
10552-23	Breaker
10552-24	Push Bar
10552-25	Handle Base
10552-26	Flange Nut
10552-27	Handle Cover
10552-28	Plastic Bolt
10552-29	Flat Washer
10552-30	Adjustable Angle Guide
10552-31	Nut
10552-32	Base

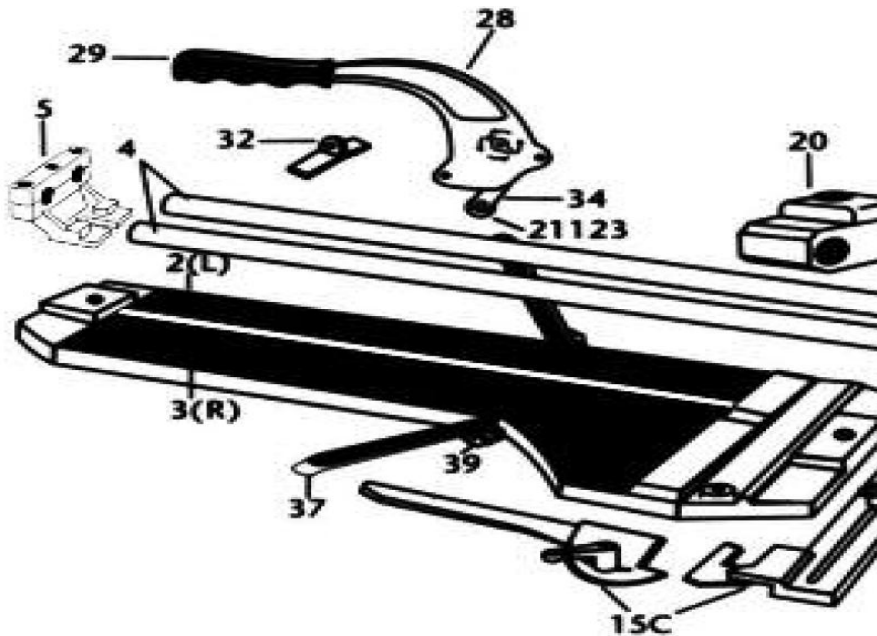




Catalog #	Product Description
-----------	---------------------

24 Brutus Tile Cutter 10600

10600-2/3	Replacement Pads
10603-4	Rail Bars-New (Pack Of 2)
10603 -5	End Bracket
10603-15C	Complete Guide - Ish
10600-20	Slide Assembly
10600-21	Bering Assembly
10601-28	Handle With Grip
10600-29	Grip
10601-32	Breaker Bar
10601-34	Holder For Ball Bearing Wheel
10601-36	Handle Complete
10601-37	12"Aluminum Arms (Pack Of 2)
10600-39	White Round Head Screw
21123	7/8" Titanium Coated Tungsten Carbide Ball Bearing Cutting Wheel





Q.E.P.

Catalog #

Product Description

27 Big Clinker Tile Cutter 10800

10800-2/3	Replacement Pads (Pack Of 2)
10800-4	Rail Bars (Pack Of 2)
10800-5	End Bracket
10800-15C	Guide Complete
10800-20	Slide Assembly
10800-21	Bearing Assembly Only
10800-28	Handle With Grip
10800-29	Grip
10800-32	Breaker Bar
10800-34	Holder-Titanium Coated Wheel
10800-36	Handle Complete With Wheel
10800-37	12" Aluminum Arm (Pack Of 2)
10800-39	White Round Head Screw
21123	7/8"titanium ct.whl-10500/1080

