



48" Manual Tile Cutter

10480Q / 21178

ERGONOMIC

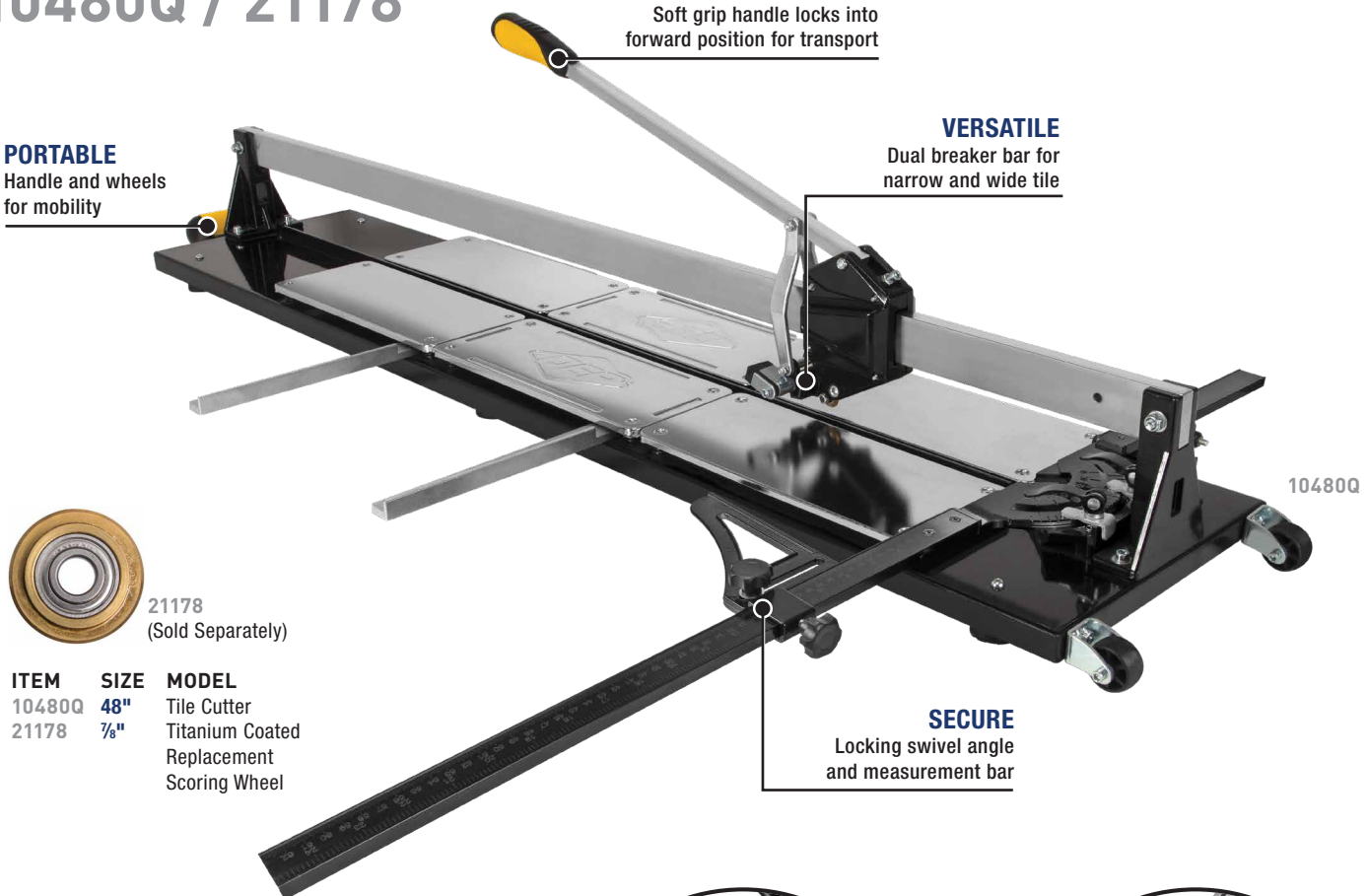
Soft grip handle locks into forward position for transport

VERSATILE

Dual breaker bar for narrow and wide tile

PORTABLE

Handle and wheels for mobility



10480Q



21178
(Sold Separately)

ITEM	SIZE	MODEL
10480Q	48"	Tile Cutter
21178	7/8"	Titanium Coated Replacement Scoring Wheel

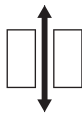
SECURE

Locking swivel angle and measurement bar

USE:

RIP CUT

Up to 48" Tile



CUTS:

- Ceramic
- Porcelain
- Mosaics

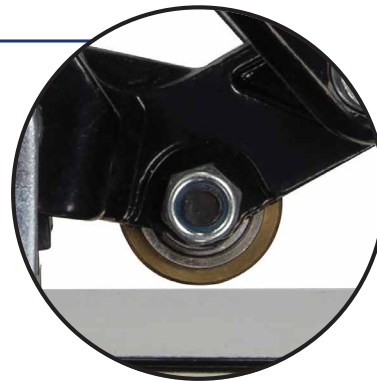
DIAGONAL

Up to 34" Tile

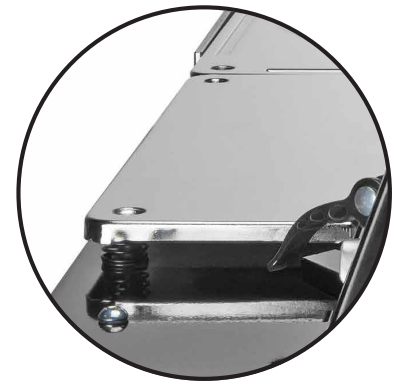


TILE DEPTH

5/8" Max.



INCLUDES ONE 7/8" TITANIUM-COATED TUNGSTEN CARBIDE CUTTING WHEEL (REPLACEABLE WHEEL SOLD SEPARATELY)



BREAKING PADS ARE MOUNTED ON SPRINGS FOR BETTER SHOCK ABSORPTION

Make your flooring project easier by cutting a wide variety of tiles with the QEP® Manual Tile Cutter. Compatible with an array of materials, this large format tile (LFT) cutter is suitable for large, professional tiling projects. Equipped with features that make cutting, measuring and transportation a breeze, this portable tile cutter will be the perfect addition to your tool collection.