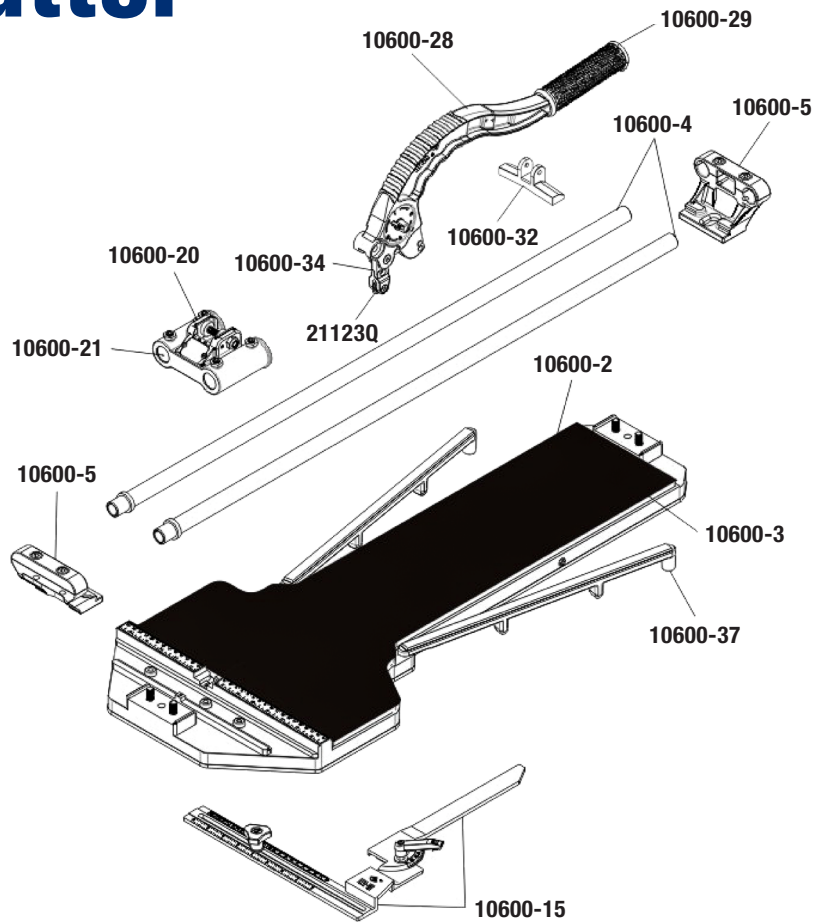




25" Big Clinker Tile Cutter

10600



Replacement Parts List

Item #	Description
10600-2/3	Replacement Pads (Left & Right)
10600-4	Rails (x2)
10600-5	End Brackets
10600-15	Guide Complete
10600-20	Slide Assembly
10600-21	Bearing Assembly
10600-28	Handle with Grip

Item #	Description
10600-29	Grip
10600-32	Breaker Bar
10600-34	Holder for Cutting Wheel
10600-36	Handle Complete
10600-37	15-3/4" Aluminum Arm with Magnet
21123Q	7/8" Cutting Wheel