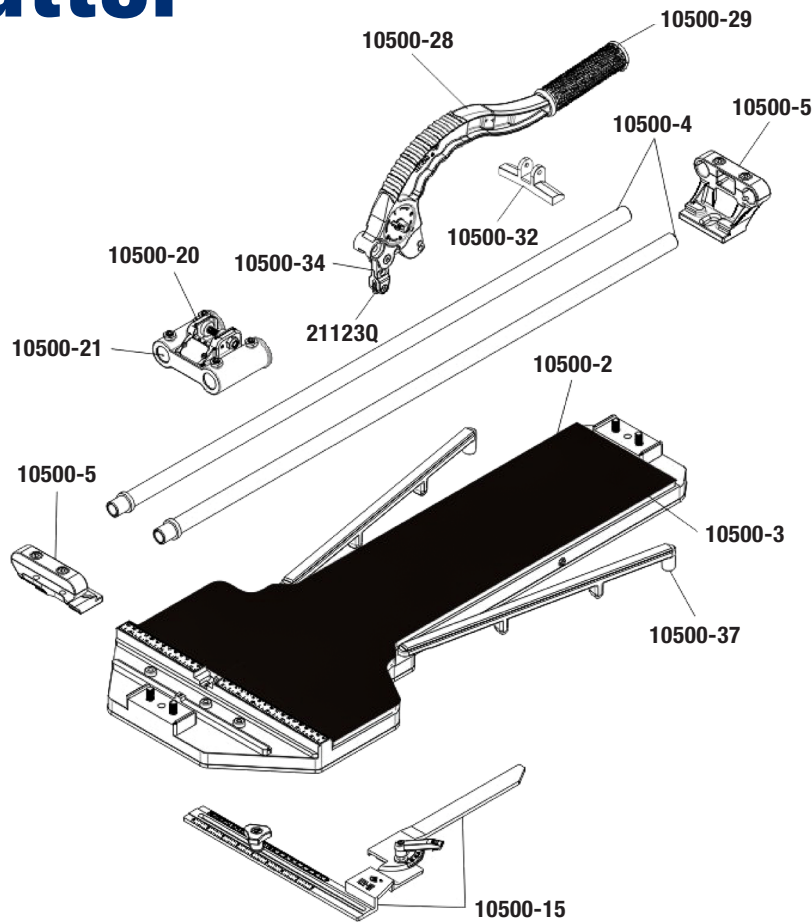




22½" Big Clinker Tile Cutter

10500



Replacement Parts List

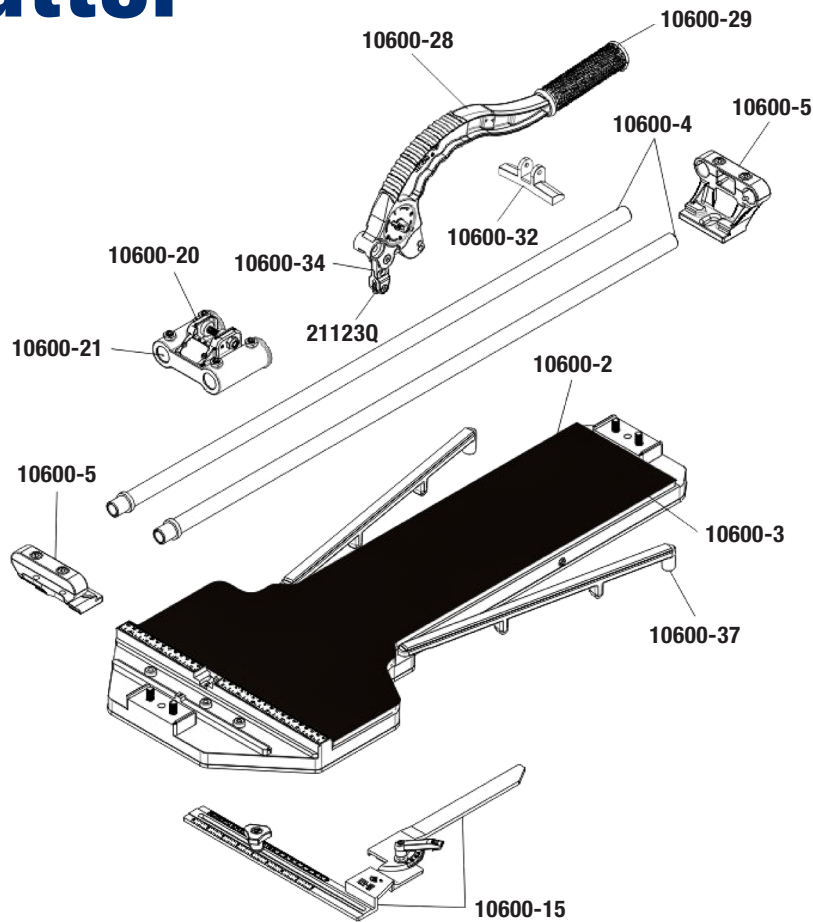
Item #	Description
10500-2/3	Replacement Pads (Left & Right)
10500-4	Rails (x2)
10500-5	End Brackets
10500-15	Guide Complete
10500-20	Slide Assembly
10500-21	Bearing Assembly
10500-28	Handle with Grip

Item #	Description
10500-29	Grip
10500-32	Breaker Bar
10500-34	Holder for Cutting Wheel
10500-36	Handle Complete
10500-37	15-3/4" Aluminum Arm with Magnet
21123Q	7/8" Cutting Wheel



25" Big Clinker Tile Cutter

10600



Replacement Parts List

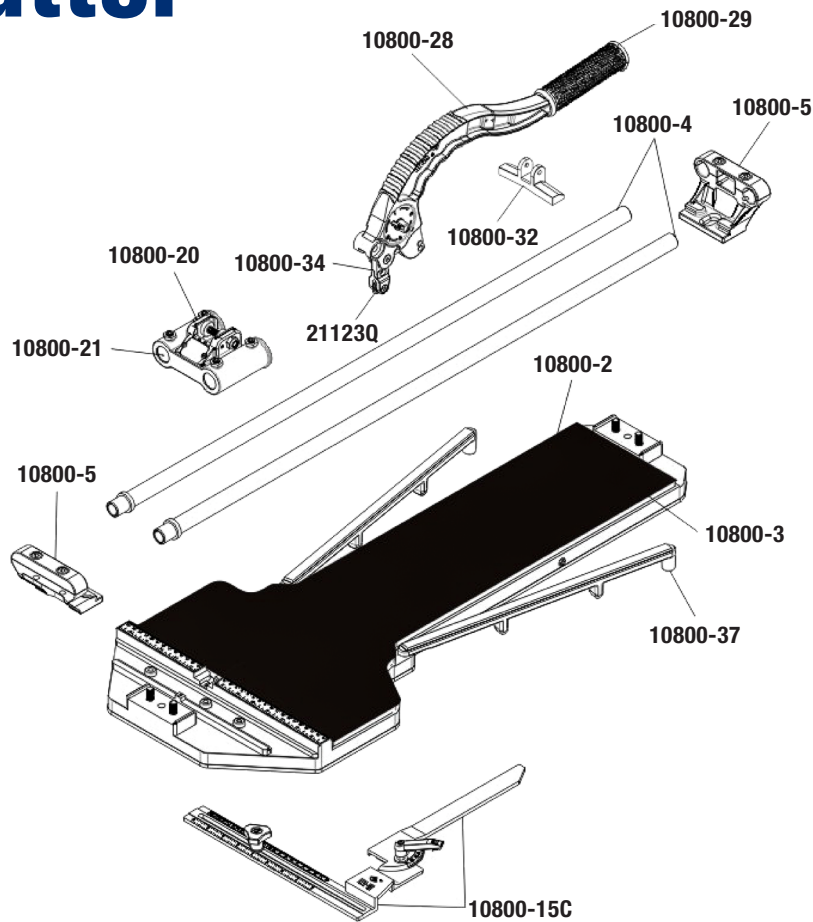
Item #	Description
10600-2/3	Replacement Pads (Left & Right)
10600-4	Rails (x2)
10600-5	End Brackets
10600-15	Guide Complete
10600-20	Slide Assembly
10600-21	Bearing Assembly
10600-28	Handle with Grip

Item #	Description
10600-29	Grip
10600-32	Breaker Bar
10600-34	Holder for Cutting Wheel
10600-36	Handle Complete
10600-37	15-3/4" Aluminum Arm with Magnet
21123Q	7/8" Cutting Wheel



28" Big Clinker Tile Cutter

10800



Replacement Parts List

Item #	Description
10800-2/3	Replacement Pads (Left & Right)
10800-4	Rails (x2)
10800-5	End Brackets
10800-15C	Guide Complete
10800-20	Slide Assembly
10800-21	Bearing Assembly
10800-28	Handle with Grip

Item #	Description
10800-29	Grip
10800-32	Breaker Bar
10800-34	Holder for Cutting Wheel
10800-36	Handle Complete
10800-37	15-3/4" Aluminum Arm with Magnet
21123Q	7/8" Cutting Wheel